

FORMOR

PRODUCT MANUALS



Fortune Plus Technology (Guangzhou) Limited

Fortune Plus Technology (Guangzhou) Limited

W. www.fortune-plus.com

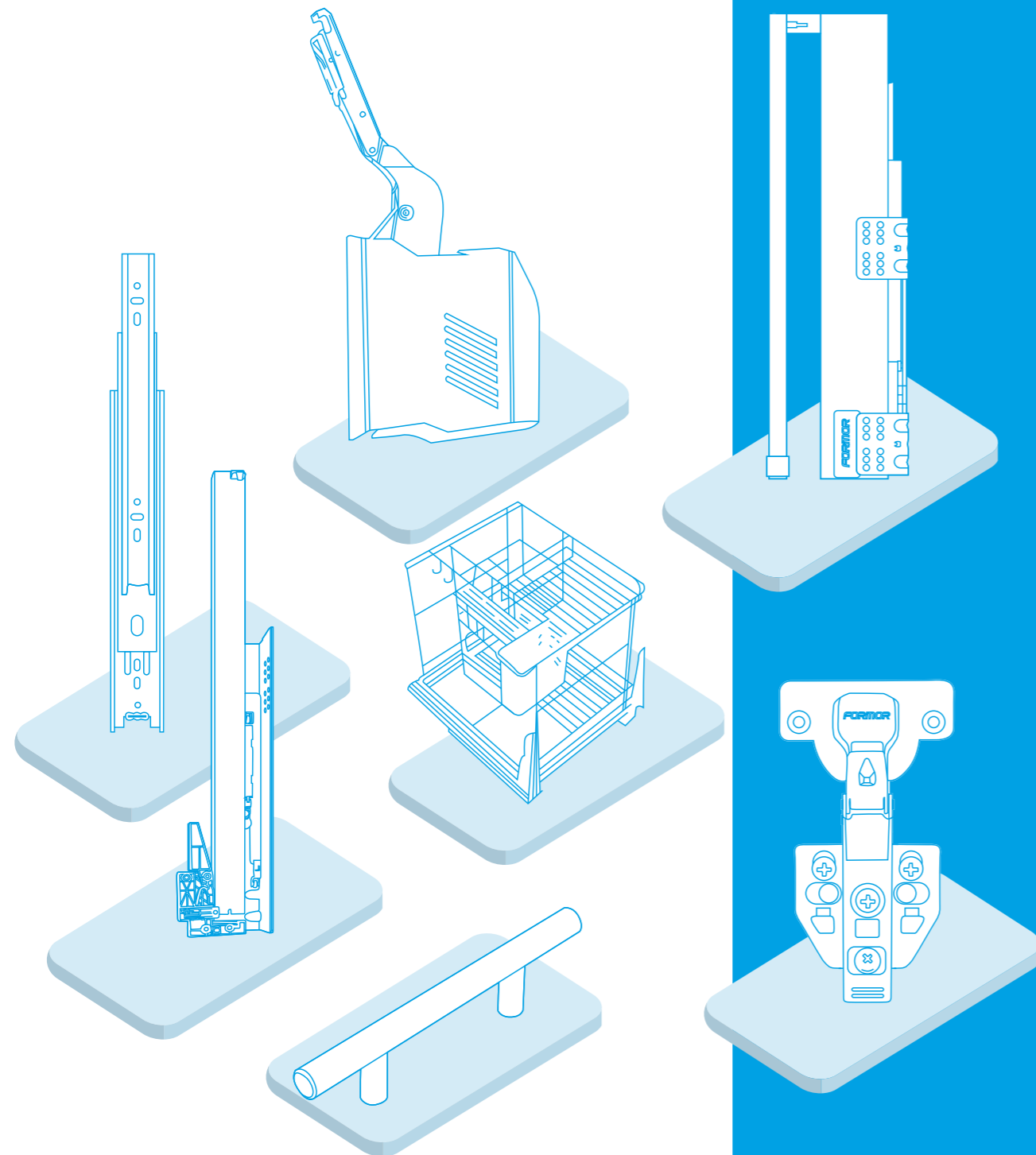
M. 020-82226081 F. 020-82221236

GuangZhou: 1301-121, NO.2 Youli Tech Park Pan Yu GZ, China

Panfu Rd, Chengxi Community, Pandong Town, Jiedong District, Jieyang City, China

INTRODUCTION

2012-2020⁺



Company Introduction

Fortune Plus Hardware is a professional OEM and ODM supplier for furniture fittings, furniture and decorative hardware globally.

Our headquarter is located in Guangzhou, the foreign trade center in China. Manufacturing unites for drawer slides and cabinet hinges are located in Jieyang City, 300 km from Guangzhou.

Since 2012, we have been dedicated in hardware designing, manufacturing and sourcing for foreign customers. We have developed our own brand FORMOR for one stop solution and space optimization for customized furniture.

We have operation offices in South Korea, India, Vietnam and Poland. With a team of energetic youth and multinational culture, we keep on creating values to our customers, looking for your cooperation.

ONE WAY HINGE

CH-A001

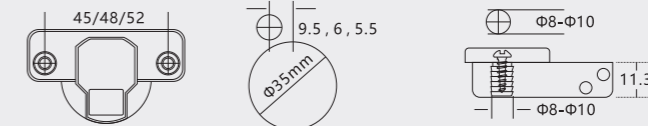
Material:	Cold-rolled Steel
Finish:	Nickel
Opening degree:	110°
Diameter of hinge cup:	35mm
Depth of hinge cup:	11.5mm
Range for door thickness:	14 - 20mm
Dimension of door:	3 - 7mm
Cup hole distance:	45mm/48mm/52mm



Optional accessories



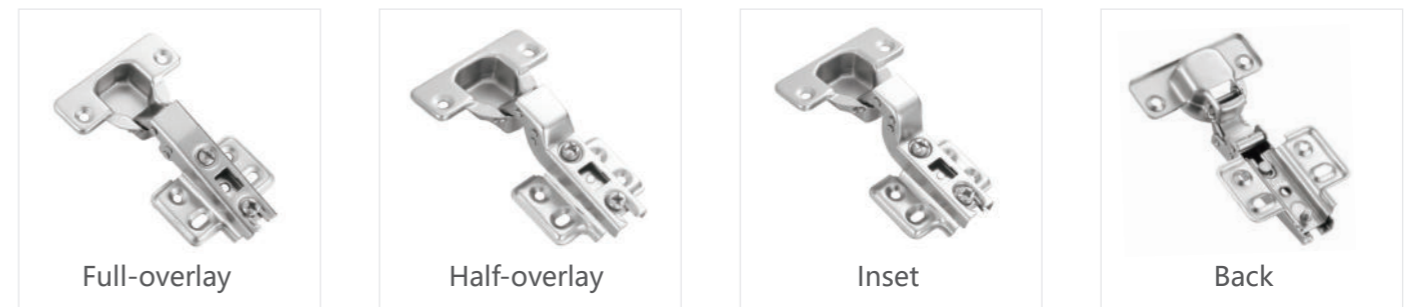
Hinge cup type
(unit:mm / Φ:radius)



Options of screws & dowels & hole



CH-A002



CH-A008



TWO WAY HINGE

CH-B001

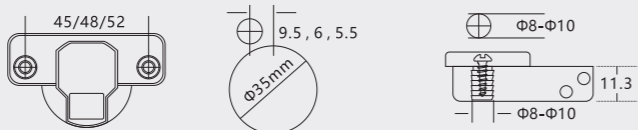


Material:	Cold-rolled Steel
Finish:	Nickel
Opening degree:	110°
Diameter of hinge cup:	35mm
Depth of hinge cup:	11.5mm
Range for door thickness:	14 - 20mm
Dimension of door:	3 - 7mm
Cup hole distance:	45mm/48mm/52mm

Optional accessories



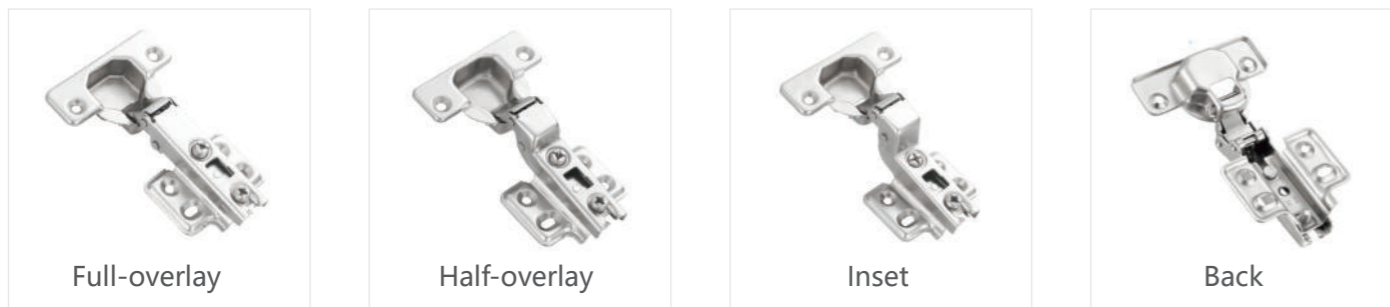
Hinge cup type
(unit:mm / Φ:radius)



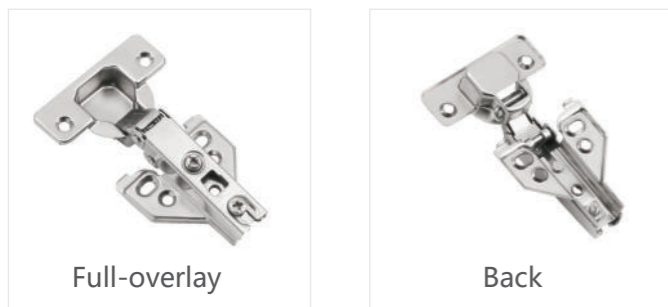
Options of screws & dowels & hole



CH-B002



CH-B003



ONE WAY SOFT CLOSING HINGE

CH-D001

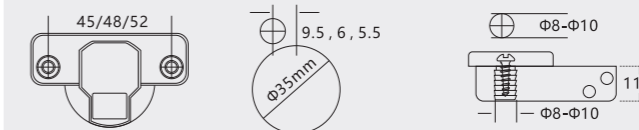


Material:	Cold-rolled Steel
Finish:	Nickel
Opening degree:	105°
Diameter of hinge cup:	35mm
Depth of hinge cup:	11.5mm
Range for door thickness:	14 - 20mm
Dimension of door:	3 - 7mm
Cup hole distance:	45mm/48mm/52mm

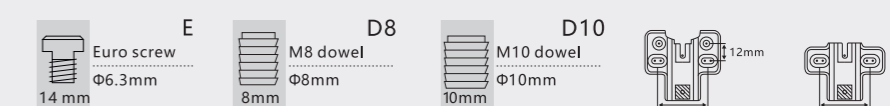
Optional accessories



Hinge cup type
(unit:mm / Φ:radius)



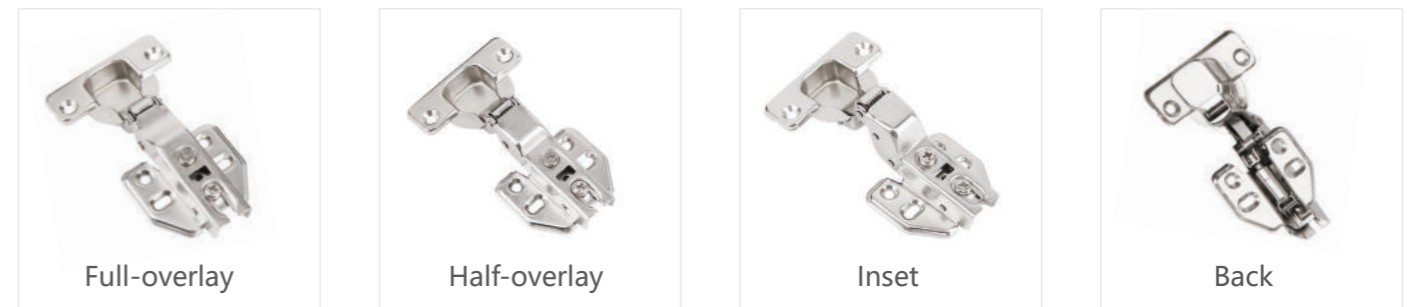
Options of screws & dowels & hole



CH-D002



CH-D016



ONE WAY SOFT CLOSING HINGE

CH-D022

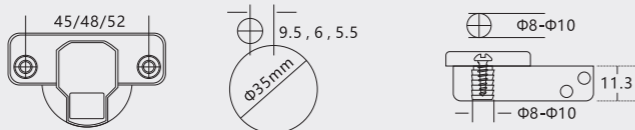


Material:	Cold-rolled Steel
Finish:	Nickel
Opening degree:	105°
Diameter of hinge cup:	35mm
Depth of hinge cup:	11.5mm
Range for door thickness:	14 - 20mm
Dimension of door:	3 - 7mm
Cup hole distance:	45mm/48mm/52mm

Optional accessories



Hinge cup type
(unit:mm / Φ:radius)



Options of screws & dowels & hole



CH-D005



CH-D006



ONE WAY SOFT CLOSING HINGE

CH-C020

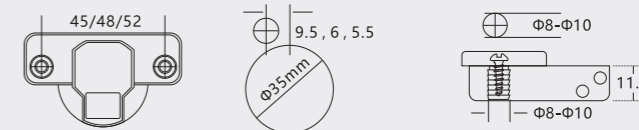


Material:	Cold-rolled Steel
Finish:	Nickel
Opening degree:	105°
Diameter of hinge cup:	35mm
Depth of hinge cup:	11.5mm
Range for door thickness:	14 - 20mm
Dimension of door:	3 - 7mm
Cup hole distance:	45mm/48mm/52mm

Optional accessories



Hinge cup type
(unit:mm / Φ:radius)



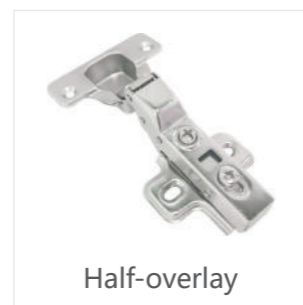
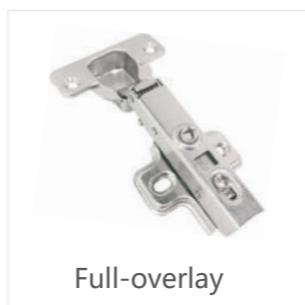
Options of screws & dowels & hole



CH-C017



CH-C019



ONE WAY SOFT CLOSING HINGE

CH-C016

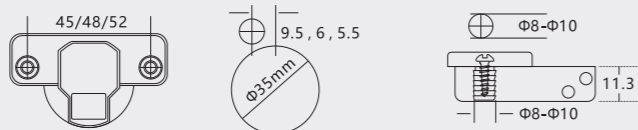
Material:	Cold-rolled Steel
Finish:	Nickel
Opening degree:	105°
Diameter of hinge cup:	35mm
Depth of hinge cup:	11.5mm
Range for door thickness:	14 - 20mm
Dimension of door:	3 - 7mm
Cup hole distance:	45mm/48mm/52mm



Optional accessories



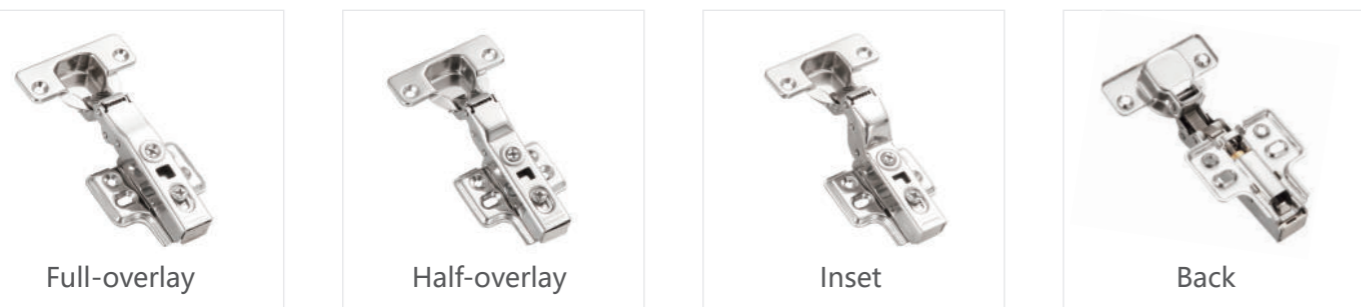
Hinge cup type
(unit:mm / Φ:radius)



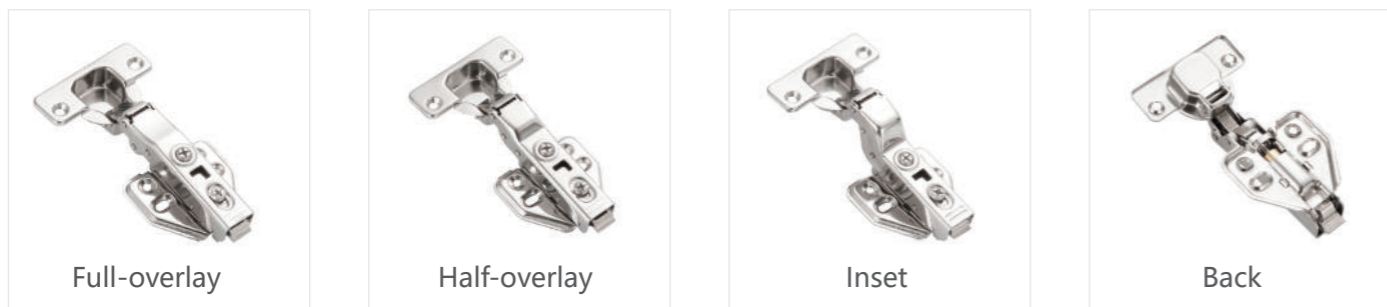
Options of screws & dowels & hole



CH-C001



CH-C002



TWO WAY SOFT CLOSING HINGE

CH-K202

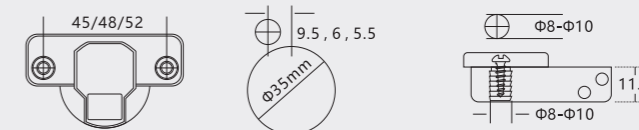
Material:	Cold-rolled Steel
Finish:	Nickel
Opening degree:	100°
Diameter of hinge cup:	35mm
Depth of hinge cup:	11.5mm
Range for door thickness:	14 - 20mm
Dimension of door:	3 - 7mm
Cup hole distance:	45mm/48mm/52mm



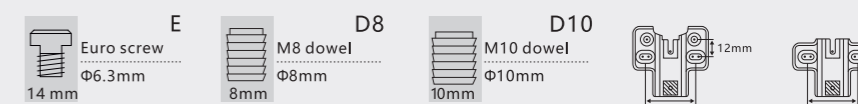
Optional accessories



Hinge cup type
(unit:mm / Φ:radius)



Options of screws & dowels & hole



CH-K203



CH-K204



ONE WAY 3D SOFT CLOSING HINGE

CH-E004

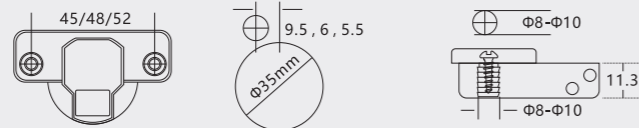


Material:	Cold-rolled Steel
Finish:	Nickel
Opening degree:	105°
Diameter of hinge cup:	35mm
Depth of hinge cup:	11.5mm
Range for door thickness:	14 - 20mm
Dimension of door:	3 - 7mm
Cup hole distance:	45mm/48mm/52mm

Optional accessories



Hinge cup type
(unit:mm / Φ:radius)



Options of screws & dowels & hole



ONE WAY 3D SOFT CLOSING HINGE

CH-E001

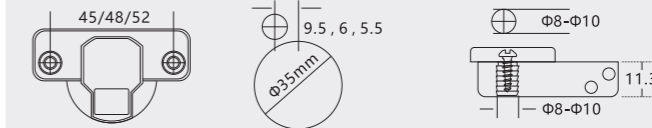


Material:	Cold-rolled Steel
Finish:	Nickel
Opening degree:	105°
Depth of hinge cup:	10.5mm
Range for door thickness:	19 - 24mm
Dimension of door:	3 - 7mm

Optional accessories



Hinge cup type
(unit:mm / Φ:radius)



Options of screws & dowels & hole



CH-E007



Material:	Cold-rolled Steel
Finish:	Nickel
Opening degree:	105°
Diameter of hinge cup:	35mm
Depth of hinge cup:	11.5mm
Range for door thickness:	14 - 20mm
Dimension of door:	3 - 7mm
Cup hole distance:	45mm/48mm/52mm

Optional accessories



CH-E002



Material:	Cold-rolled Steel
Finish:	Nickel
Opening degree:	105°
Depth of hinge cup:	10.5mm
Range for door thickness:	19 - 24mm
Dimension of door:	3 - 7mm

Optional accessories



ONE WAY 3D SOFT CLOSING HINGE



CH-E005

Material:	Cold-rolled Steel
Finish:	Nickel
Opening degree:	105°
Diameter of hinge cup:	35mm
Depth of hinge cup:	11.5mm
Range for door thickness:	14 - 20mm
Dimension of door:	3 - 7mm
Cup hole distance:	45mm/48mm/52mm

Optional accessories



Hinge cup type
(unit:mm / Φ:radius)



Options of screws & dowels & hole



CH-E006

Material:	Cold-rolled Steel
Finish:	Nickel
Opening degree:	105°
Diameter of hinge cup:	35mm
Depth of hinge cup:	11.5mm
Range for door thickness:	14 - 20mm
Dimension of door:	3 - 7mm
Cup hole distance:	45mm/48mm/52mm

Optional accessories



CH-S005



Material:	Stainless Steel 201
Finish:	Nickel
Opening degree:	105°
Diameter of hinge cup:	35mm
Depth of hinge cup:	11.5mm
Range for door thickness:	14 - 20mm
Dimension of door:	3 - 7mm
Cup hole distance:	45mm/48mm/52mm

Optional accessories



Hinge cup type
(unit:mm / Φ:radius)



Options of screws & dowels & hole



CH-S006



CH-S011



CH-S001

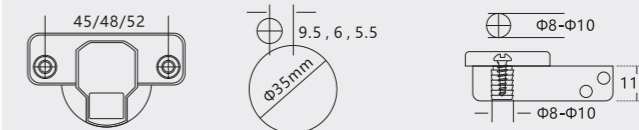


Material:	Stainless Steel 201
Finish:	Nickel
Opening degree:	105°
Diameter of hinge cup:	35mm
Depth of hinge cup:	11.5mm
Range for door thickness:	14 - 20mm
Dimension of door:	3 - 7mm
Cup hole distance:	45mm/48mm/52mm

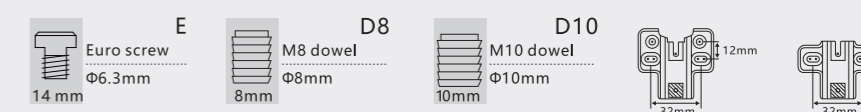
Optional accessories



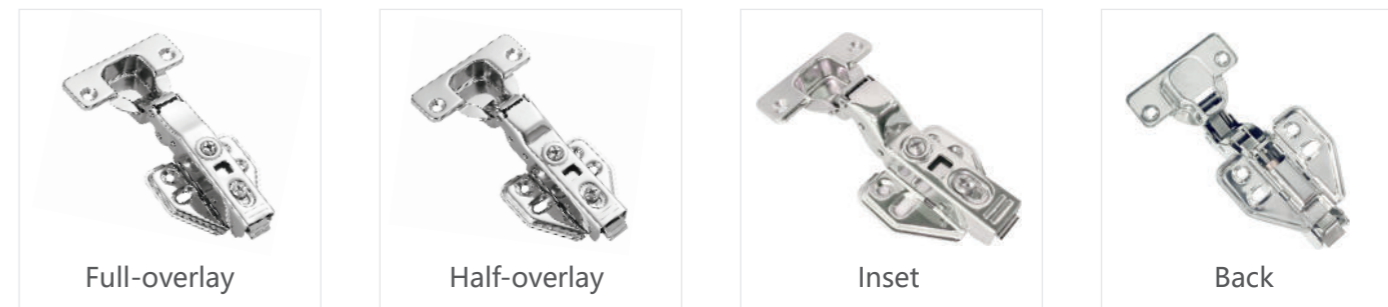
Hinge cup type
(unit:mm / Φ:radius)



Options of screws & dowels & hole



CH-S002



CH-S003 (Stainless Steel 304)



CORNER HINGE

CH-I001



Material:	Cold-rolled Steel
Finish:	Nickel
Opening degree:	30°
Diameter of hinge cup:	35mm
Depth of hinge cup:	11.5mm
Range for door thickness:	14 - 20mm
Dimension of door:	3 - 7mm
Cup hole distance:	45mm/48mm/52mm

Optional accessories



Hinge cup type
(unit:mm / Φ:radius)



Options of screws & dowels & hole



CH-I201



Material:	Cold-rolled Steel
Finish:	Nickel
Opening degree:	30°
Diameter of hinge cup:	35mm
Depth of hinge cup:	11.5mm
Range for door thickness:	14 - 20mm
Dimension of door:	3 - 7mm
Cup hole distance:	45mm/48mm/52mm

Optional accessories



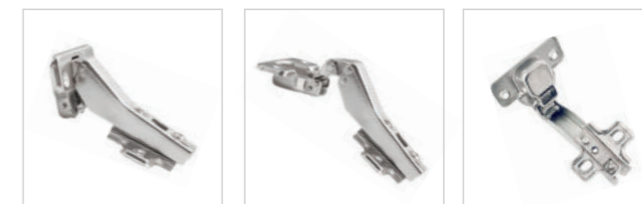
CORNER HINGE

CH-I003

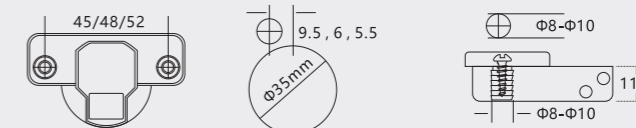


Material:	Cold-rolled Steel
Finish:	Nickel
Opening degree:	45°
Diameter of hinge cup:	35mm
Depth of hinge cup:	11.5mm
Range for door thickness:	14 - 20mm
Dimension of door:	3 - 7mm
Cup hole distance:	45mm/48mm/52mm

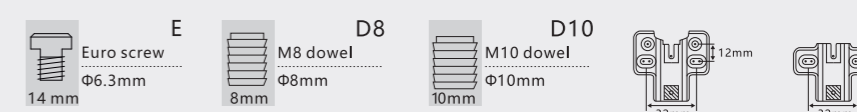
Optional accessories



Hinge cup type
(unit:mm / Φ:radius)



Options of screws & dowels & hole



CH-I006



Material:	Cold-rolled Steel
Finish:	Nickel
Opening degree:	45°
Diameter of hinge cup:	35mm
Depth of hinge cup:	11.5mm
Range for door thickness:	14 - 20mm
Dimension of door:	3 - 7mm
Cup hole distance:	45mm/48mm/52mm

Optional accessories



CORNER HINGE



CH-I005

Material:	Cold-rolled Steel
Finish:	Nickel
Opening degree:	90°
Diameter of hinge cup:	35mm
Depth of hinge cup:	11.5mm
Range for door thickness:	14 - 20mm
Dimension of door:	3 - 7mm
Cup hole distance:	45mm/48mm/52mm

Optional accessories



Hinge cup type
(unit:mm / Φ:radius)



Options of screws & dowels & hole



CORNER HINGE



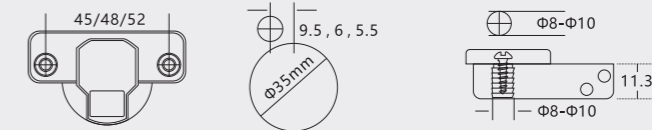
CH-I011

Material:	Cold-rolled Steel
Finish:	Nickel
Opening degree:	135°
Diameter of hinge cup:	35mm
Depth of hinge cup:	11.5mm
Range for door thickness:	14 - 20mm
Dimension of door:	3 - 7mm
Cup hole distance:	45mm/48mm/52mm

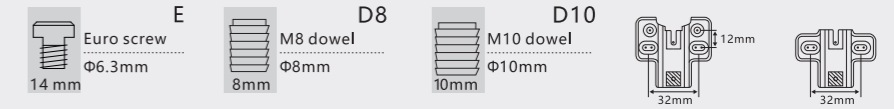
Optional accessories



Hinge cup type
(unit:mm / Φ:radius)



Options of screws & dowels & hole



CH-I013

Material:	Cold-rolled Steel
Finish:	Nickel
Opening degree:	90°
Diameter of hinge cup:	35mm
Depth of hinge cup:	11.5mm
Range for door thickness:	14 - 20mm
Dimension of door:	3 - 7mm
Cup hole distance:	45mm/48mm/52mm

Optional accessories



175° CORNER HINGE



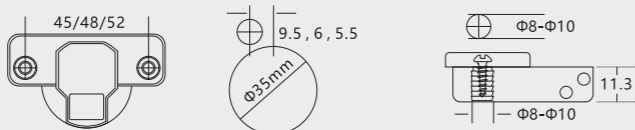
CH-I026

Material:	Cold-rolled Steel
Finish:	Nickel
Opening degree:	175°
Diameter of hinge cup:	35mm
Depth of hinge cup:	11.5mm
Range for door thickness:	14 - 20mm
Dimension of door:	3 - 7mm
Cup hole distance:	45mm/48mm/52mm

Optional accessories



Hinge cup type
(unit:mm / Φ:radius)



Options of screws & dowels & hole



165° CORNER HINGE



CH-I210

Material:	Cold-rolled Steel
Finish:	Nickel
Opening degree:	165°
Diameter of hinge cup:	35mm
Depth of hinge cup:	11.5mm
Range for door thickness:	14 - 20mm
Dimension of door:	3 - 7mm
Cup hole distance:	45mm/48mm/52mm

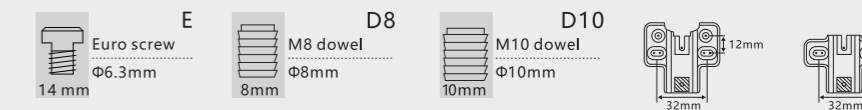
Optional accessories



Hinge cup type
(unit:mm / Φ:radius)



Options of screws & dowels & hole



CH-I024

Material:	Cold-rolled Steel
Finish:	Nickel
Opening degree:	175°
Diameter of hinge cup:	35mm
Depth of hinge cup:	11.5mm
Range for door thickness:	14 - 20mm
Dimension of door:	3 - 7mm
Cup hole distance:	45mm/48mm/52mm

Optional accessories



CH-I209

Material:	Cold-rolled Steel
Finish:	Nickel
Opening degree:	165°
Diameter of hinge cup:	35mm
Depth of hinge cup:	11.5mm
Range for door thickness:	14 - 20mm
Dimension of door:	3 - 7mm
Cup hole distance:	45mm/48mm/52mm

Optional accessories



AMERICAN CONCEALED HINGE

CH-F001

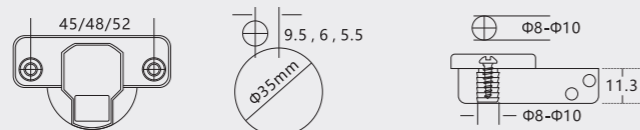


Material:	Cold-rolled Steel
Finish:	Nickel
Opening degree:	105°
Diameter of hinge cup:	35mm
Depth of hinge cup:	11.5mm
Range for door thickness:	7 - 10mm
Dimension of door:	3 - 7mm
Cup hole distance:	45/48/52mm

Optional accessories



Hinge cup type
(unit:mm / Φ:radius)



Options of screws & dowels & hole

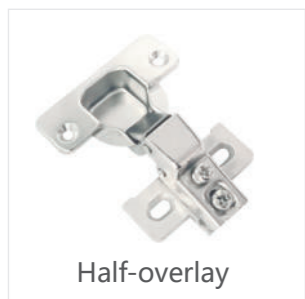


CH-F002

CH-F004



CH-F003



AMERICAN SOFT CLOSING CONCEALED HINGE

CH-L201

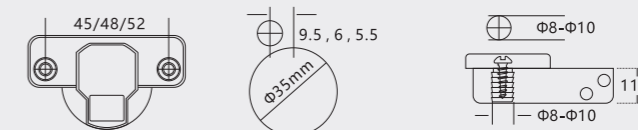


Material:	Cold-rolled Steel
Finish:	Nickel
Opening degree:	105°
Diameter of hinge cup:	35mm
Depth of hinge cup:	11.5mm
Range for door thickness:	1-1/4"
Dimension of door:	3 - 7mm
Cup hole distance:	45mm

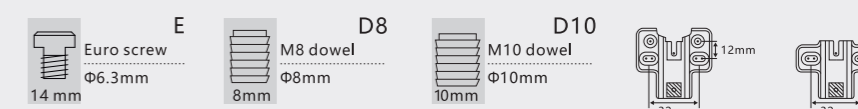
Optional accessories



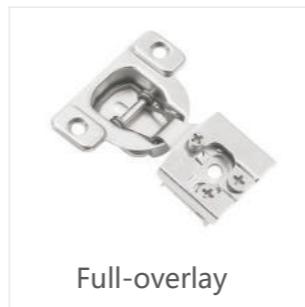
Hinge cup type
(unit:mm / Φ:radius)



Options of screws & dowels & hole



CH-L202



CH-L203



ONE WAY SOFT CLOSING HINGE (FOR ALUMINIUM FRAME)



CH-J202

Material:	Cold-rolled Steel
Finish:	Nickel
Opening degree:	105°
Drilling dimension on aluminum frame hinge head:	28mm
Depth of hinge cup:	10.5mm
Range or width of aluminum frame:	19 - 24mm
Dimension of door:	3 - 7mm

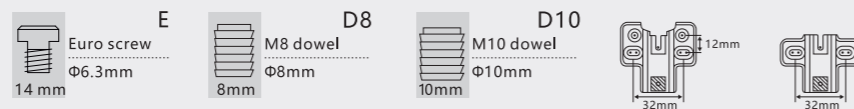
Optional accessories



Hinge cup type
(unit:mm / Φ:radius)



Options of screws & dowels & hole



CH-J201

Material:	Cold-rolled Steel
Finish:	Nickel
Opening degree:	105°
Drilling dimension on aluminum frame hinge head:	28mm
Depth of hinge cup:	10.5mm
Range or width of aluminum frame:	19 - 24mm
Dimension of door:	3 - 7mm

Optional accessories



40MM CUP SOFT CLOSING HINGE



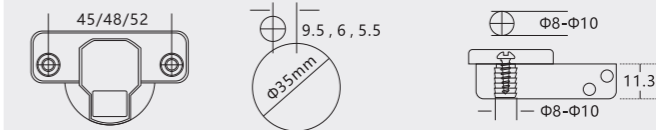
CH-G002

Material:	Cold-rolled Steel
Finish:	Nickel
Opening degree:	105°
Diameter of hinge cup:	40mm
Depth of hinge cup:	12.5mm
Range for door thickness:	20 - 28mm
Dimension of door:	3 - 7mm
Cup hole distance:	52mm

Optional accessories



Hinge cup type
(unit:mm / Φ:radius)



Options of screws & dowels & hole



CH-G001

Material:	Cold-rolled Steel
Finish:	Nickel
Opening degree:	105°
Diameter of hinge cup:	40mm
Depth of hinge cup:	12.5mm
Range for door thickness:	20 - 28mm
Dimension of door:	3 - 7mm
Cup hole distance:	52mm

Optional accessories





FÖRMOR
HOME HARDWARE

FULL EXTENSION BALL BEARING SLIDE (SOFT CLOSING)

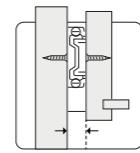
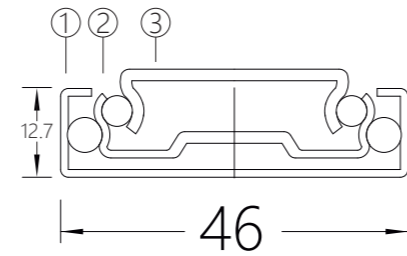
DS-SC61



Width:	46mm
Length:	250-600mm
Loading capacity:	45kg/450mm(18")
Material:	cold-rolled steel
Finishing:	Zinc/Black
Packing:	15Pairs/carton



45kg

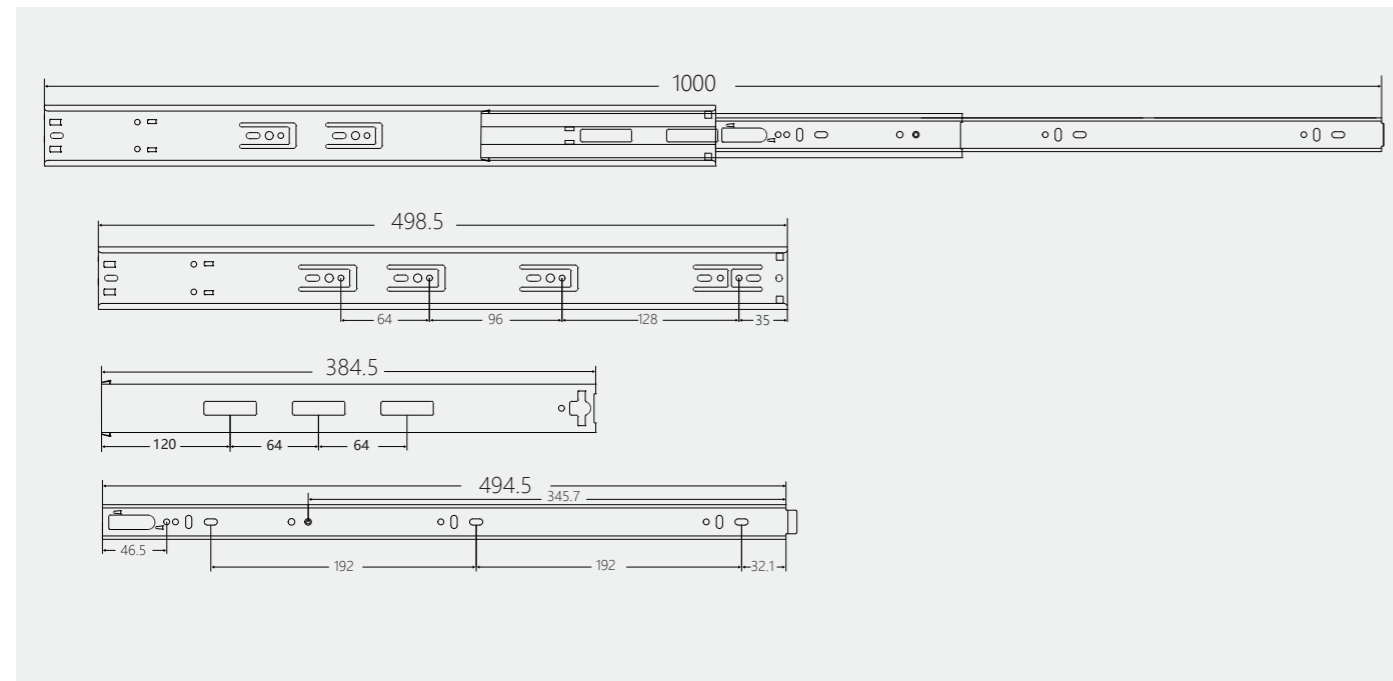


13.0mm

①	②	③
1.2	1.2	1.5

DS-SC61	1.2*1.2*1.5mm
---------	---------------

Hole Version



FULL EXTENSION BALL BEARING SLIDE (SOFT CLOSING)

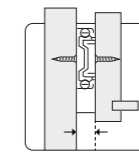
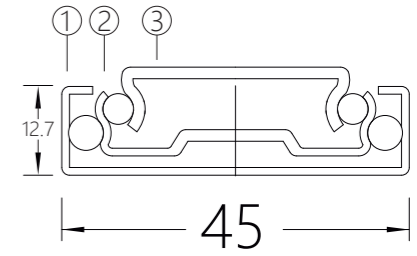
DS-SC51



Width:	45mm
Length:	250-600mm
Loading capacity:	45kg/450mm(18")
Material:	cold-rolled steel
Finishing:	Zinc/Black
Packing:	15Pairs/carton



45kg

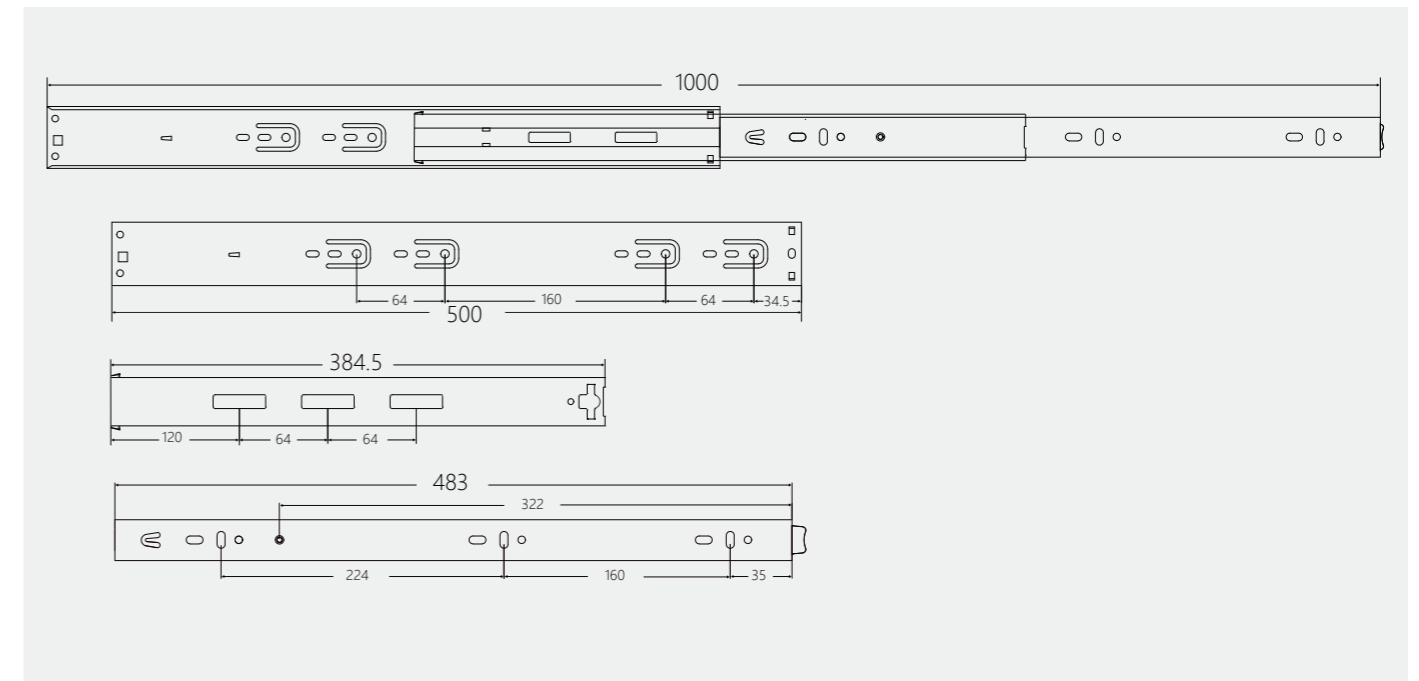


13.0mm

①	②	③
1.2	1.2	1.5

DS-SC51	1.2*1.2*1.5mm
---------	---------------

Hole Version



FULL EXTENSION BALL BEARING SLIDE (SOFT CLOSING)

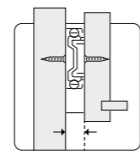
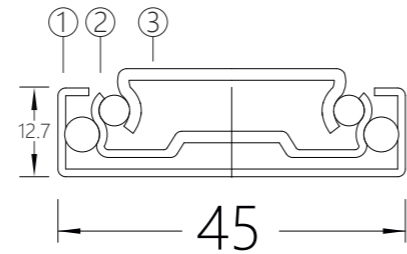
DS-SC54



Width:	45mm
Length:	250-600mm
Loading capacity:	45kg/450mm(18")
Material:	cold-rolled steel
Finishing:	Zinc/Black
Packing:	15Pairs/carton



45kg



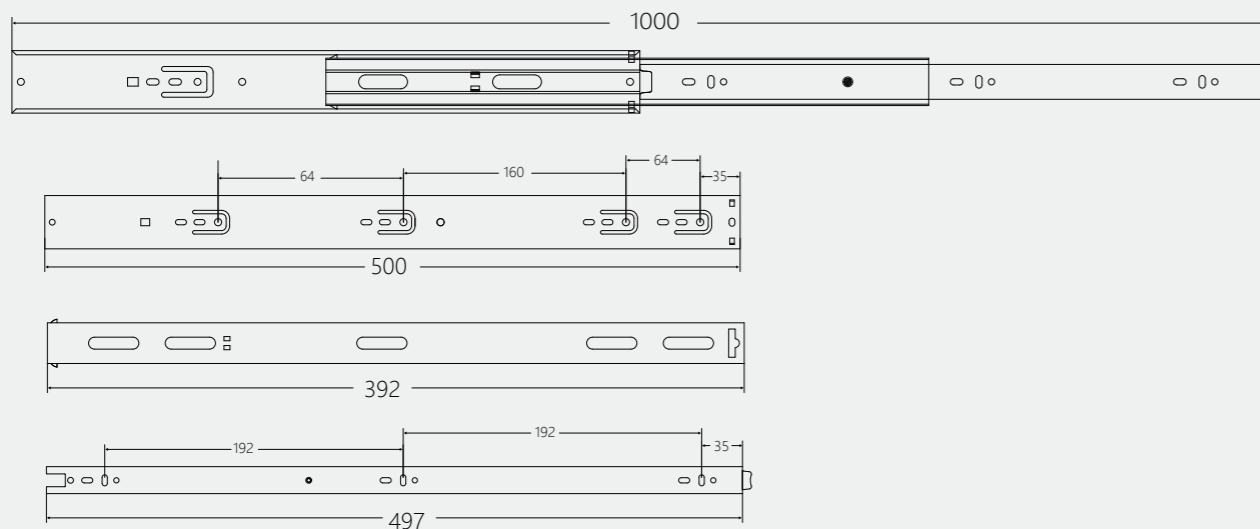
13.0mm

①	②	③
1.0	1.0	1.2

DS-SC54

1.0*1.0*1.2mm

Hole Version



FULL EXTENSION BALL BEARING SLIDE (PUSH TO OPEN)

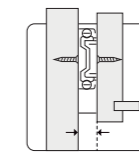
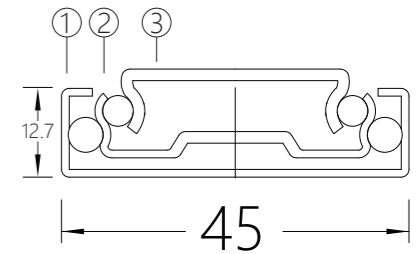
DS-PO52



Width:	45mm
Length:	250-600mm
Loading capacity:	45kg/450mm(18")
Material:	cold-rolled steel
Finishing:	Zinc/Black
Packing:	15Pairs/carton



45kg



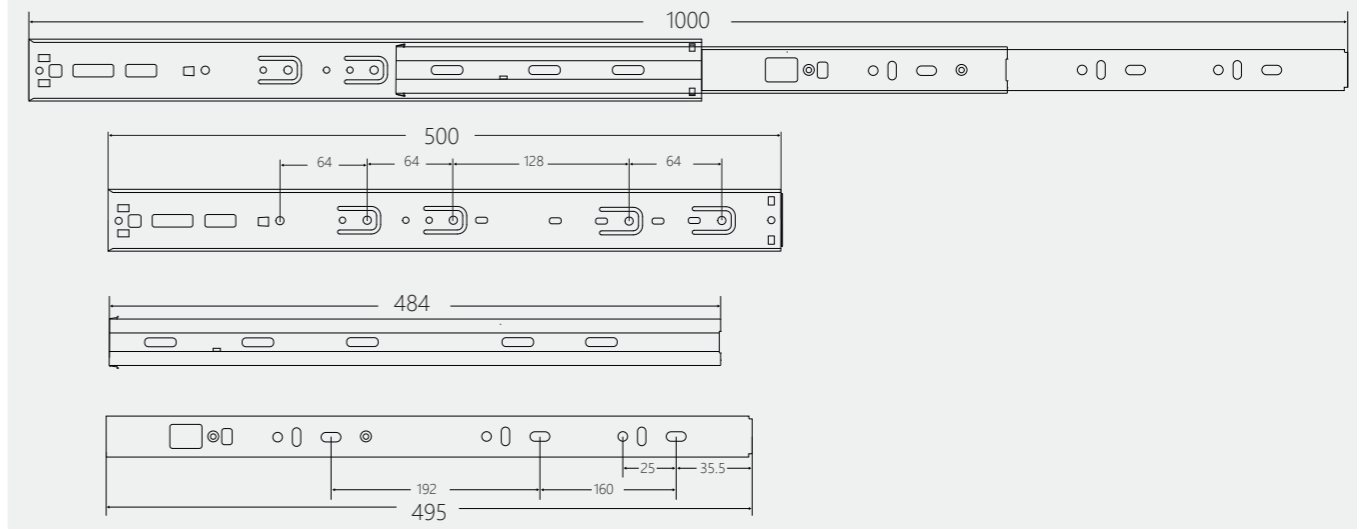
13.0mm

①	②	③
1.2	1.2	1.5

DS-PO52

1.2*1.2*1.5mm

Hole Version



FULL EXTENSION BALL BEARING SLIDE (PUSH TO OPEN)

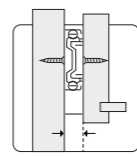
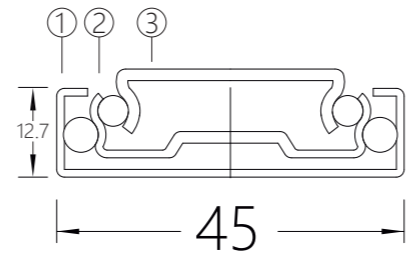
DS-PO54



Width:	45mm
Length:	250-600mm
Loading capacity:	45kg/450mm(18")
Material:	cold-rolled steel
Finishing:	Zinc/Black
Packing:	15Pairs/carton



45kg

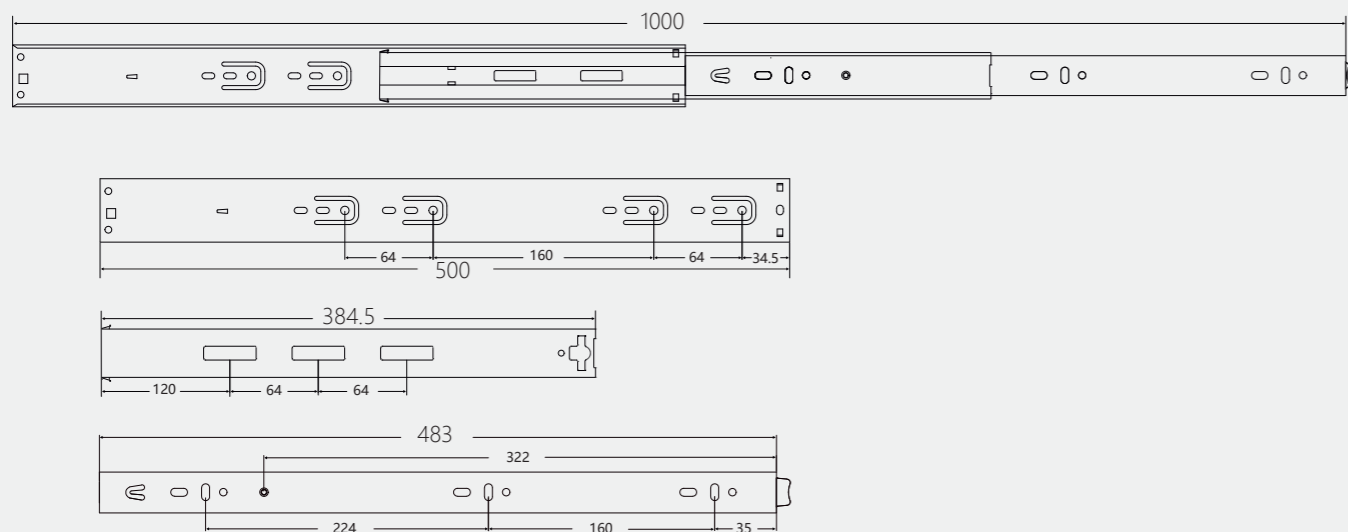


13.0mm

①	②	③
1.2	1.2	1.5

DS-PO54	1.2*1.2*1.5mm
---------	---------------

Hole Version



FULL EXTENSION BALL BEARING SLIDE

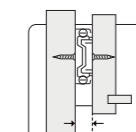
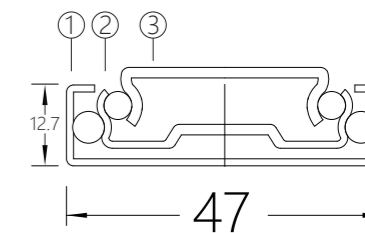
DS-4751



Width:	47mm
Length:	250-600mm
Loading capacity:	45kg/450mm(18")
Material:	cold-rolled steel
Finishing:	Zinc/Black
Packing:	15Pairs/carton



45kg

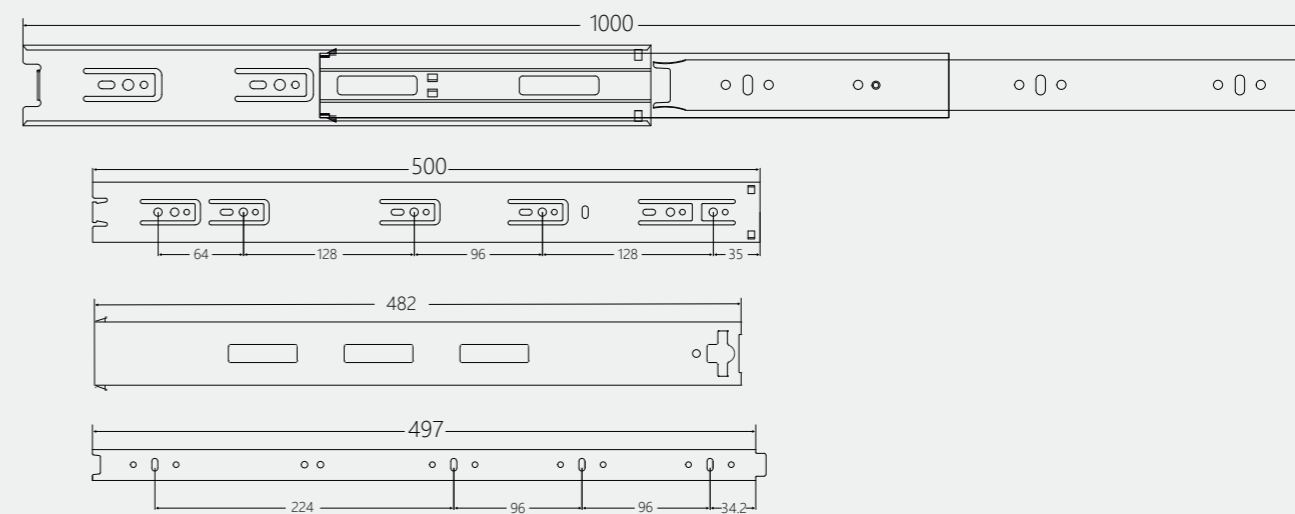


13.0mm

①	②	③
1.2	1.2	1.2-1.5

DS-4751	1.2*1.2*1.5mm	DS-4721	1.2*1.2*1.2mm
---------	---------------	---------	---------------

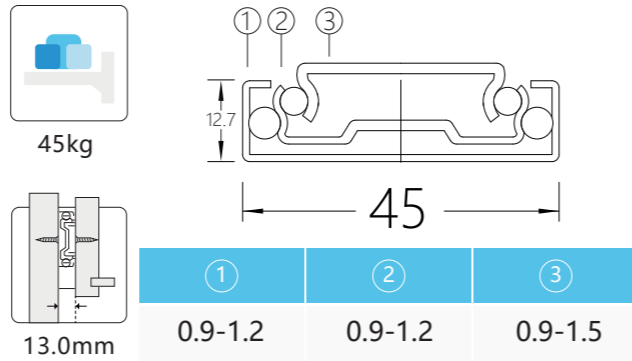
Hole Version



DS-4557

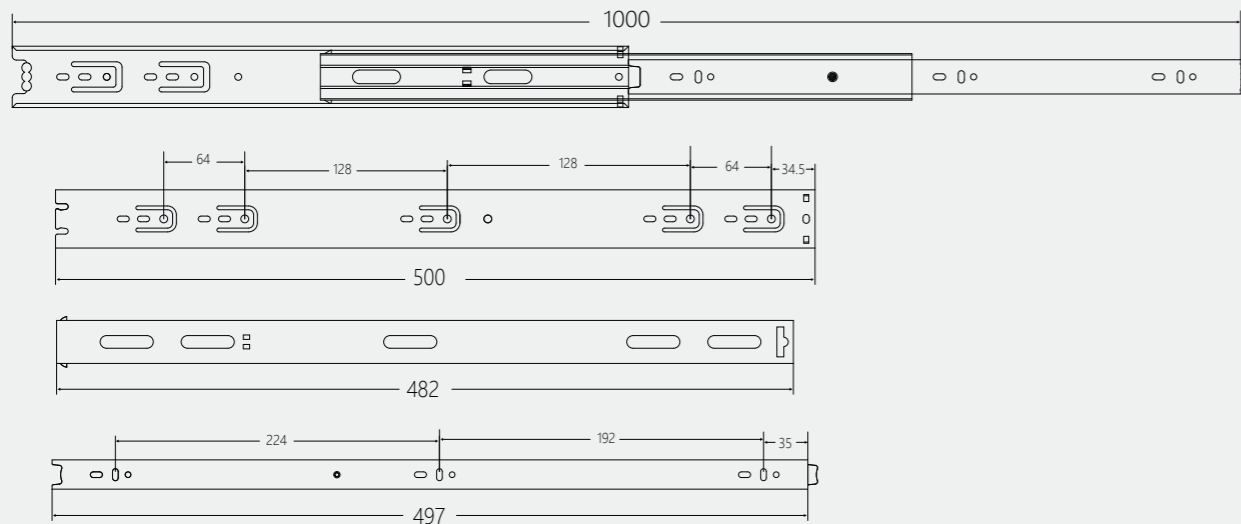


Width:	45mm
Length:	250-600mm
Loading capacity:	45kg/450mm(18")
Material:	cold-rolled steel
Finishing:	Zinc/Black
Packing:	15Pairs/carton



DS-4557	1.2*1.2*1.5mm	DS-4522	1.2*1.2*1.2mm	DS-4515	1.0*1.0*1.2mm
DS-4505	1.0*1.0*1.0mm	DS-4519	0.9*0.9*1.0mm	DS-4592	0.9*0.9*0.9mm

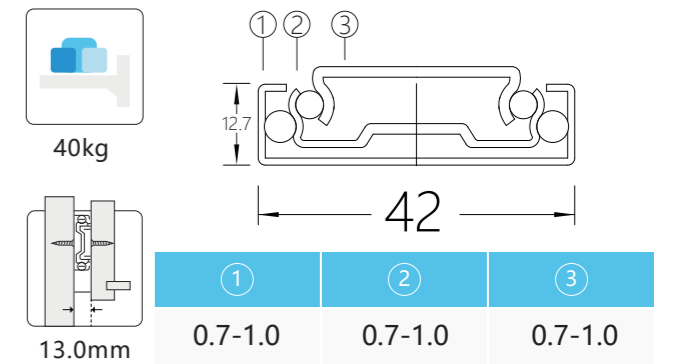
Hole Version



DS-4202

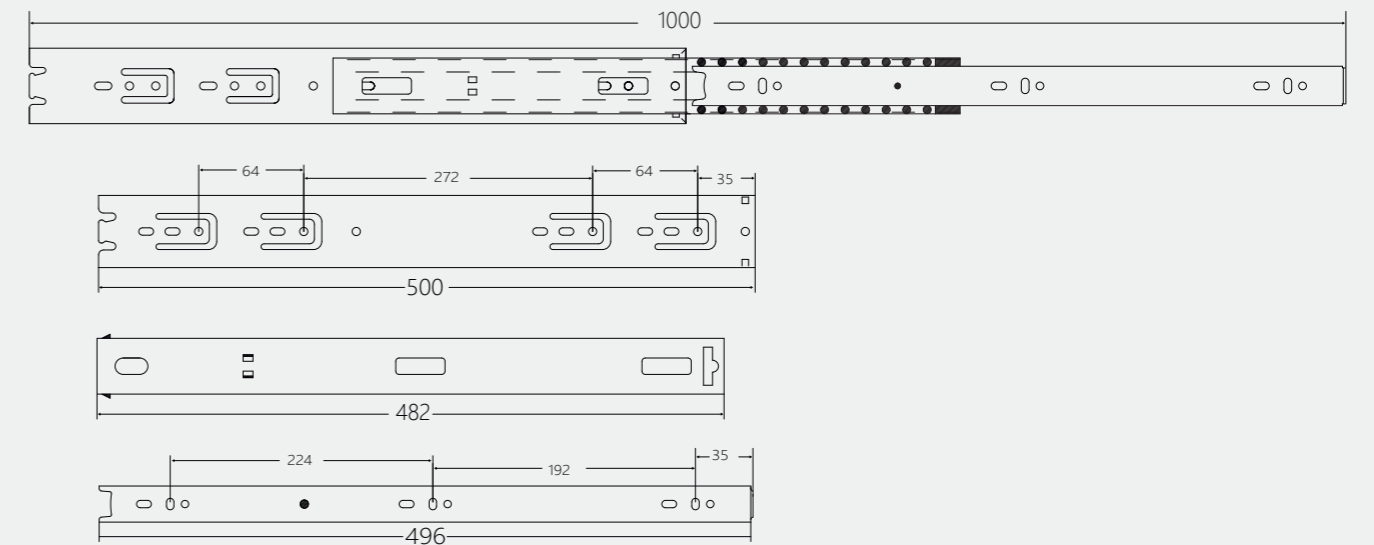


Width:	42mm
Length:	250-600mm
Loading capacity:	40kg/450mm(18")
Material:	JieYang/Shanghai
Finishing:	Zinc/Black
Packing:	15Pairs/carton



DS-4202	1.0*1.0*1.0mm	DS-4208	0.9*0.9*1.0mm	DS-4292	0.9*0.9*0.9mm
DS-4298	0.8*0.9*0.9mm	DS-4281	0.8*0.8*0.8mm	DS-4271	0.7*0.7*0.7mm

Hole Version

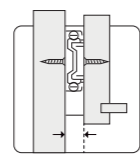
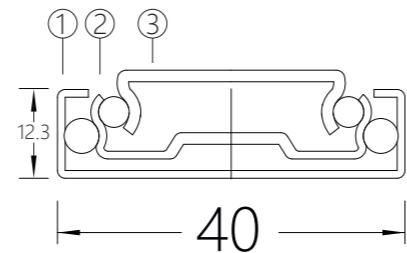


FULL EXTENSION BALL BEARING SLIDE

DS-4071



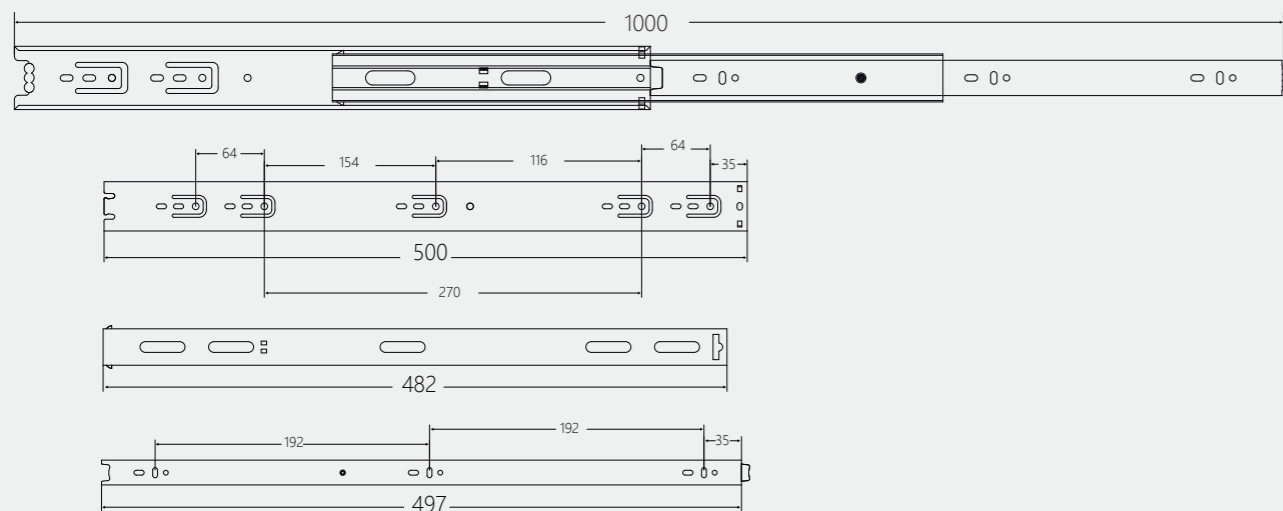
Width:	40mm
Length:	250-600mm
Loading capacity:	30kg/450mm(18")
Material:	cold-rolled steel
Finishing:	Zinc/Black
Packing:	15Pairs/carton



①	②	③
0.7	0.7	0.7

DS-4071	0.7*0.7*0.7mm
---------	---------------

Hole Version

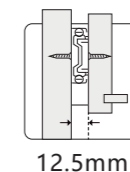
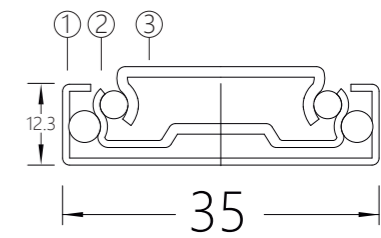
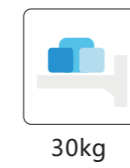


FULL EXTENSION BALL BEARING SLIDE

DS-3591



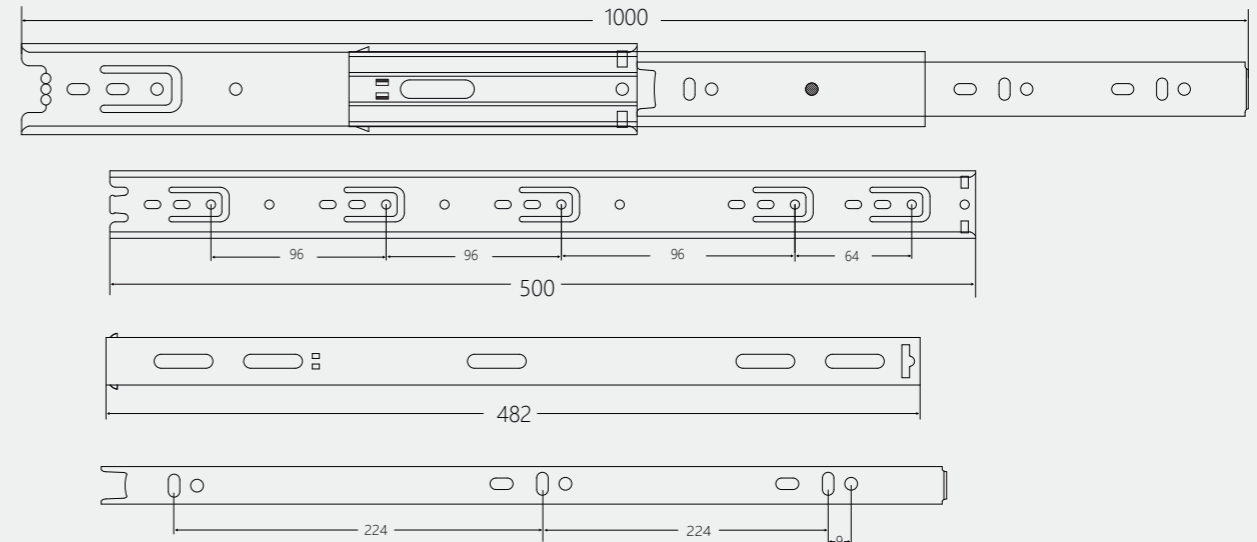
Width:	35mm
Length:	250-600mm
Loading capacity:	30kg/450mm(18")
Material:	cold-rolled steel
Finishing:	Zinc/Black
Packing:	20Pairs/carton



①	②	③
0.7-0.9	0.7-0.9	0.7-0.9

DS-3591	0.9*0.9*0.9mm	DS-3581	0.8*0.8*0.8mm	DS-3571	0.7*0.7*0.7mm
---------	---------------	---------	---------------	---------	---------------

Hole Version



FULL EXTENSION BALL BEARING SLIDE

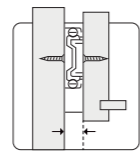
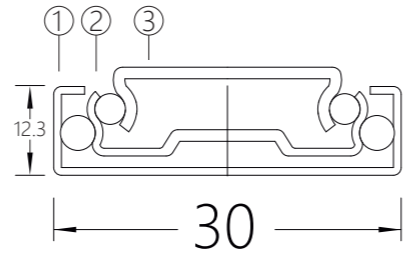
DS-3061



Width: 30mm
 Length: 250-600mm
 Loading capacity: 25kg/450mm(18")
 Material: cold-rolled steel
 Finishing: Zinc/Black
 Packing: 20Pairs/carton



25kg

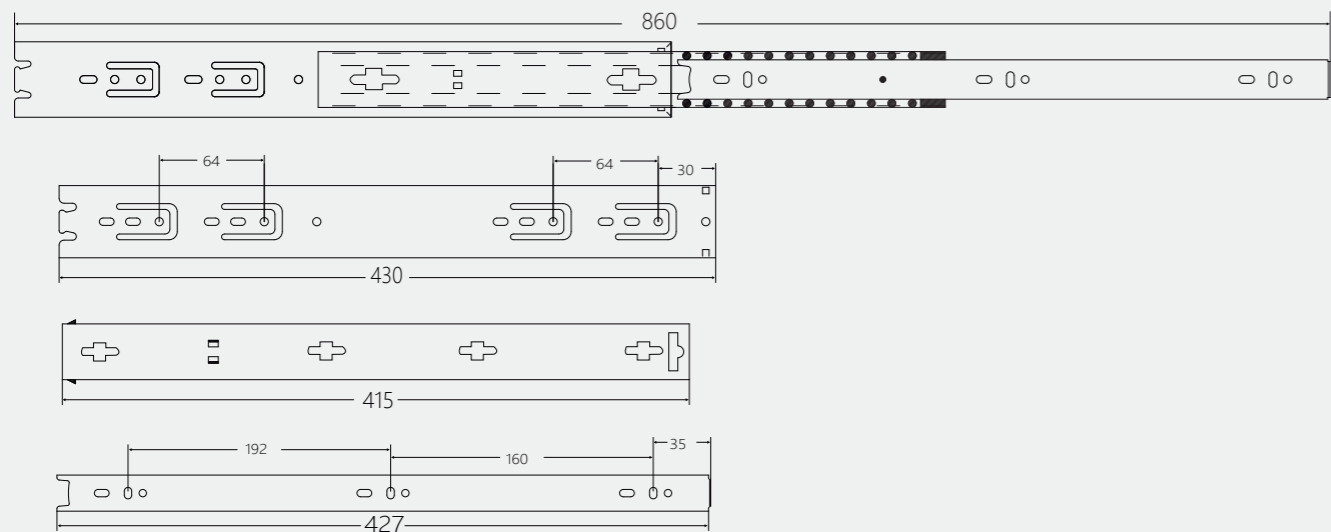


12.5mm

①	②	③
0.6	0.6	0.6

DS-3061	0.6*0.6*0.6mm	12.5mm	0.6	0.6	0.6
---------	---------------	--------	-----	-----	-----

Hole Version



SINGLE EXTENSION BALL BEARING SLIDE

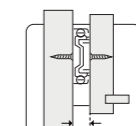
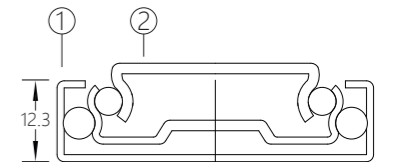
DS-2791



Width: 27mm
 Length: 250-600mm
 Loading capacity: 20kg/450mm(18")
 Material: Cold-rolled steel
 Finishing: Zinc/Black
 Packing: 50Pairs/carton



20kg

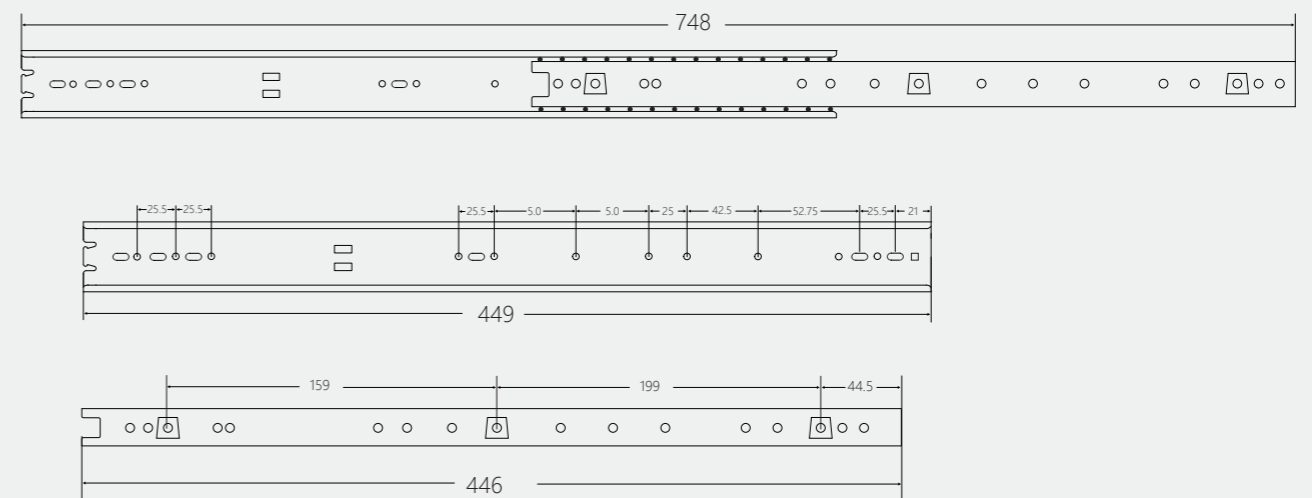


12.5mm

①	②
0.9-1.0	0.9-1.0

DS-2791	0.9*0.9mm	DS-2701	1.0*1.0mm
---------	-----------	---------	-----------

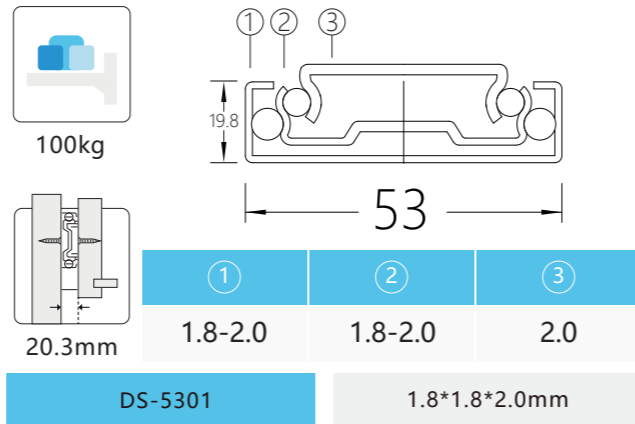
Hole Version



DS-5302



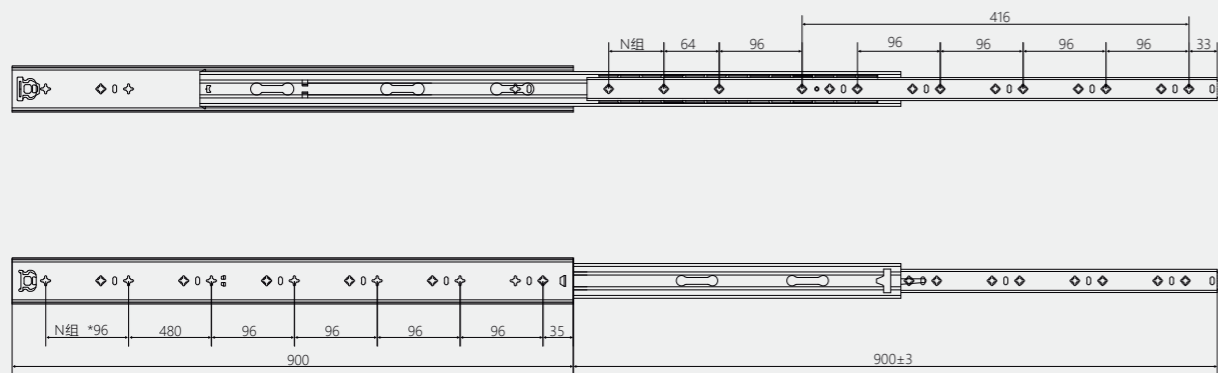
Width:	53mm
Length:	250-1500mm
Loading capacity:	100kg/450mm(18")
Material:	cold-rolled steel
Finishing:	Zinc
Packing:	5Pairs/carton



DS-5302	2.0*2.0*2.0mm
---------	---------------

DS-5301	1.8*1.8*2.0mm
---------	---------------

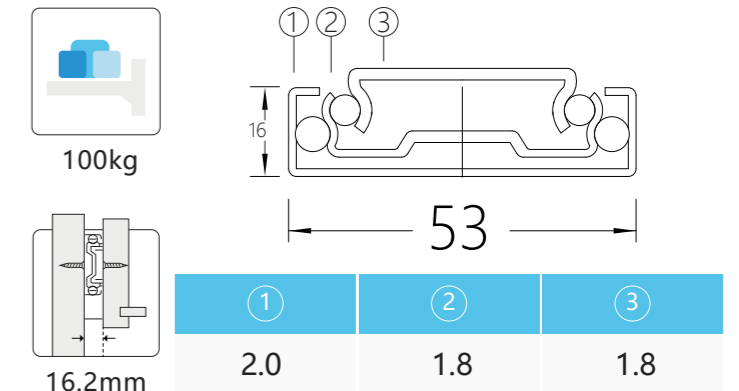
Hole Version



DS-5303



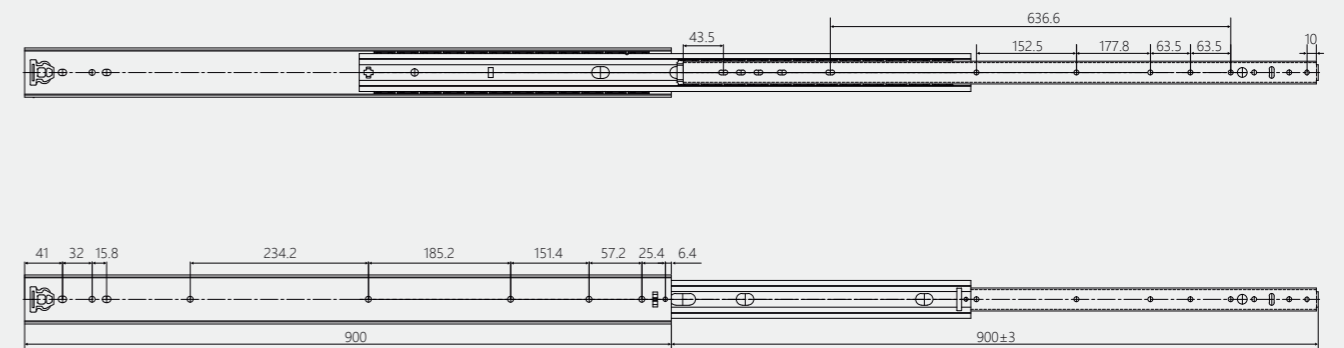
Width:	53mm
Length:	250-1500mm
Loading capacity:	100kg/450mm(18")
Material:	cold-rolled steel
Finishing:	Zinc
Packing:	5Pairs/carton



DS-5303	2.0*1.8*1.8mm
---------	---------------

DS-5303	16.2mm
---------	--------

Hole Version



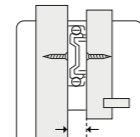
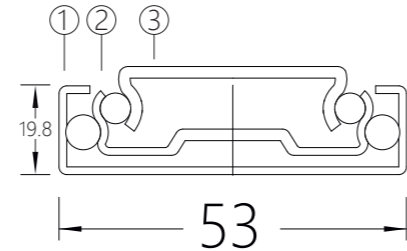
DS-5304



Width: 53mm
 Length: 250-1500mm
 Loading capacity: 100kg/450mm(18")
 Material: cold-rolled steel
 Finishing: Zinc
 Packing: 5Pairs/carton



100kg



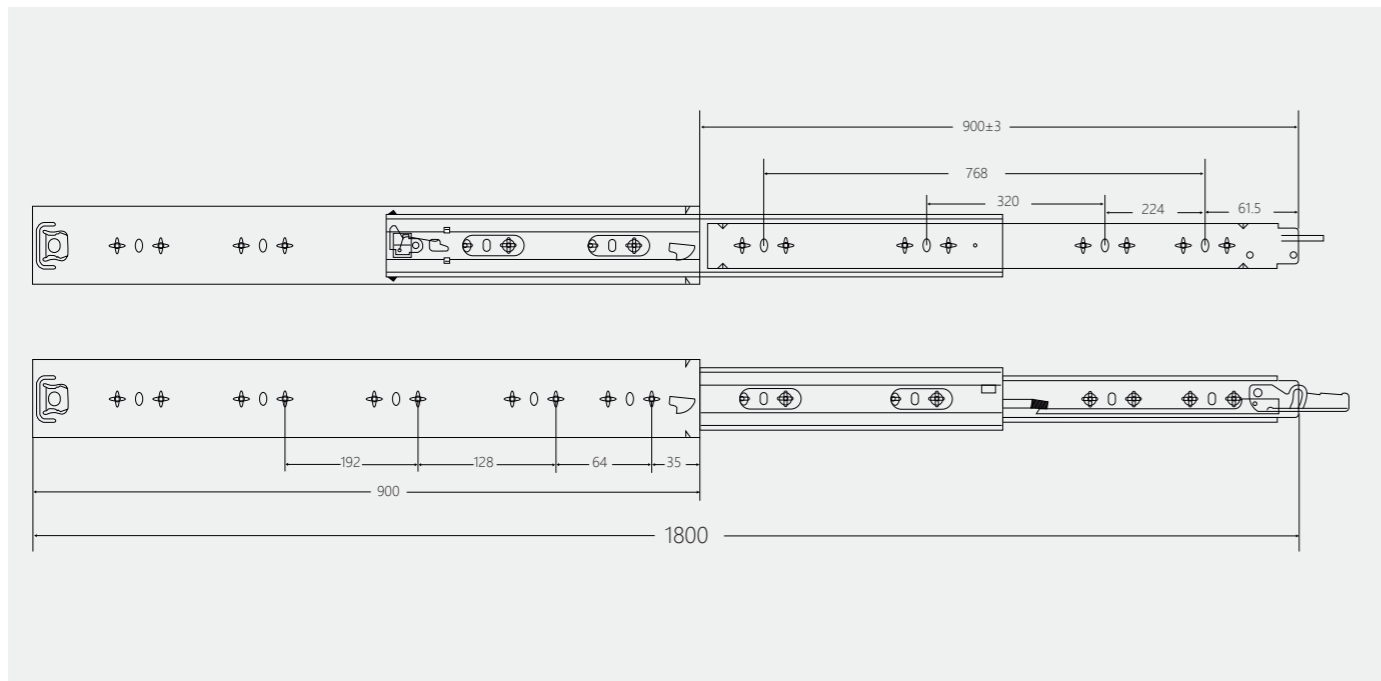
20.3mm

①	②	③
1.8-2.0	1.8-2.0	2.0

DS-5304

2.0*2.0*2.0mm

Hole Version



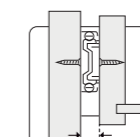
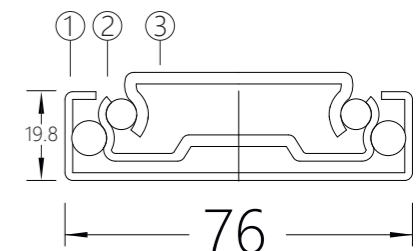
DS-7602



Width: 76mm
 Length: 250-1800mm
 Loading capacity: 220kg/450mm(18")
 Material: cold-rolled steel
 Finishing: Zinc
 Packing: 4Pairs/carton



220kg



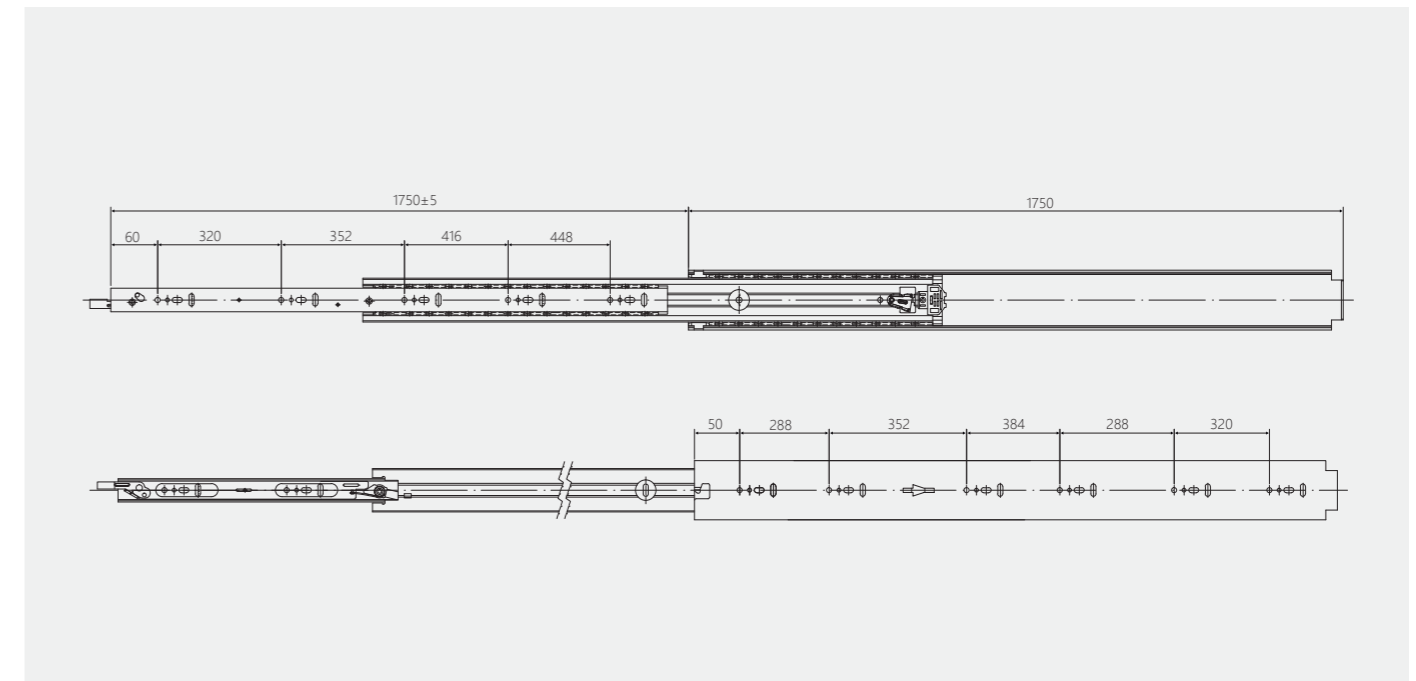
20.3mm

①	②	③
2.5	2.2	2.5

DS-7602

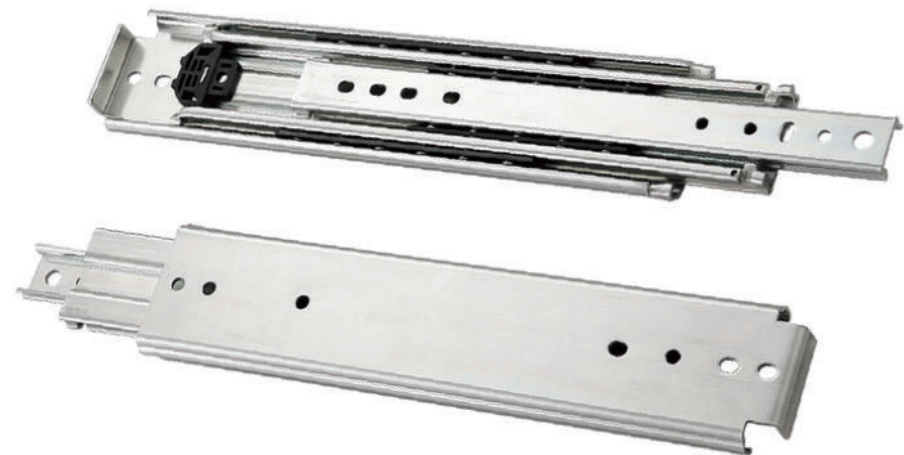
2.5*2.2*2.5mm

Hole Version



HEAVY DUTY SLIDE

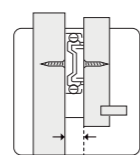
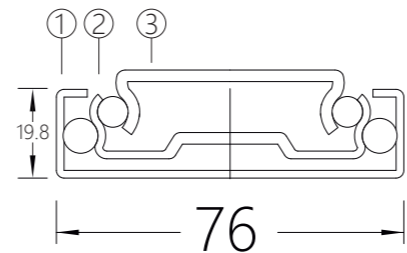
DS-7601



Width: 76mm
 Length: 250-1800mm
 Loading capacity: 220kg/450mm(18")
 Material: cold-rolled steel
 Finishing: Zinc
 Packing: 4Pairs/carton



220kg

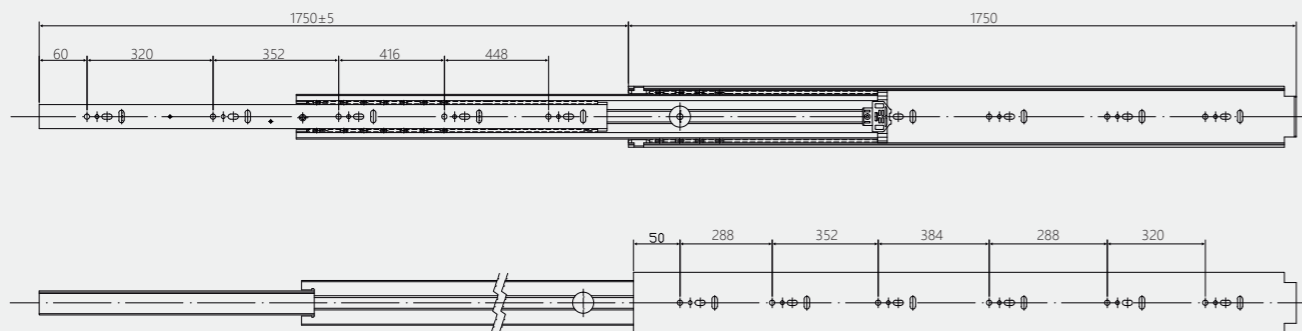


20.3mm

①	②	③
2.5	2.2	2.5

DS-7601	2.5*2.2*2.5mm
---------	---------------

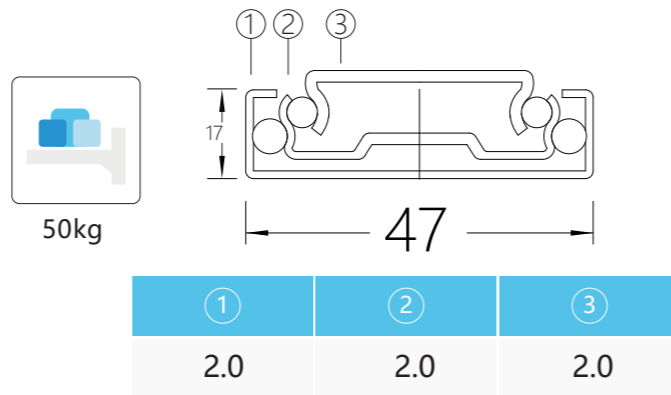
Hole Version



DS-D471

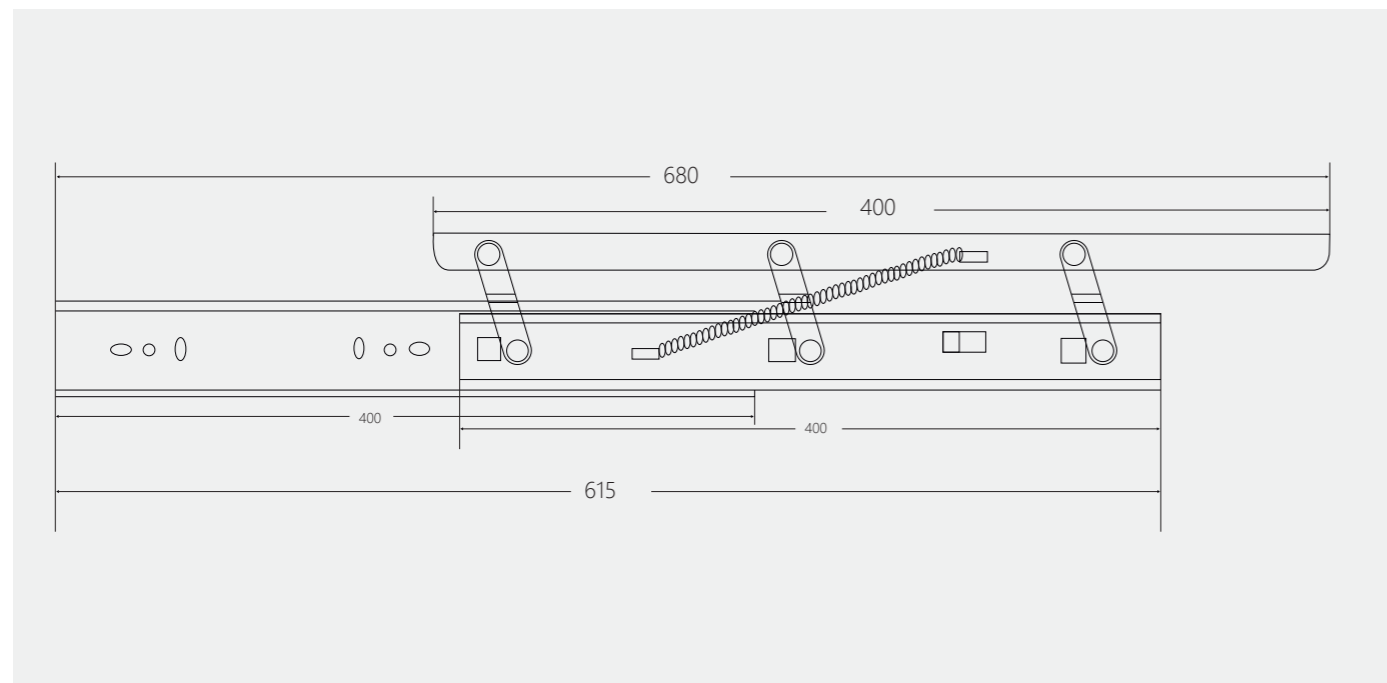


Width: 47mm
 Length: 350/400/420mm
 Loading capacity: 50kg/400mm(16")
 Material: cold-rolled steel/Galvanized sheet
 Finishing: Zinc / Black
 Packing: 15Pairs/carton



DS-D471 2.0*2.0*2.0mm

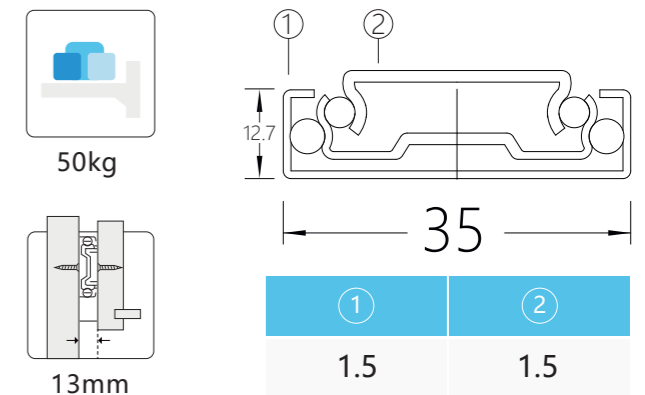
Installation Dimensions



DS-D352

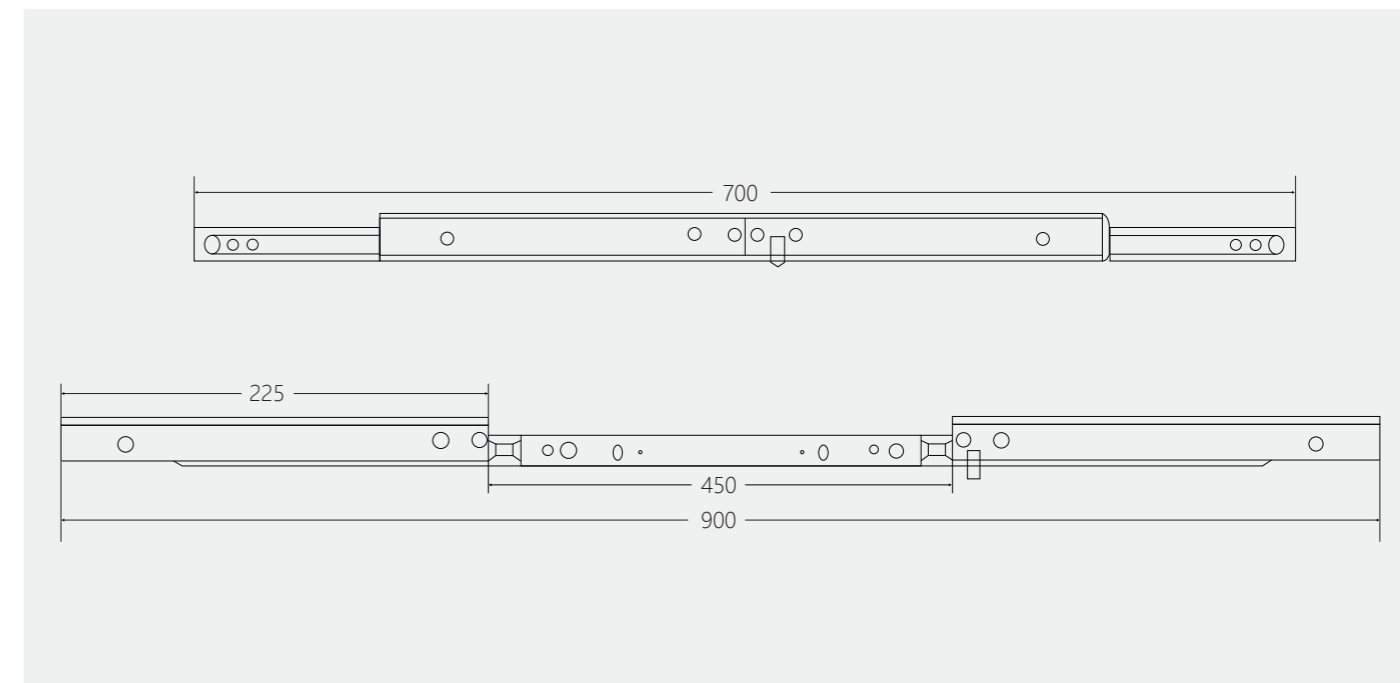


Width: 35mm
 Length: 600-1500mm
 Loading capacity: 50kg/700mm(28")
 Material: cold-rolled steel/Galvanized sheet
 Finishing: Zinc / Black
 Packing: 10Pairs/carton



DS-D352 1.5*1.5mm

Hole Version



DINNING TABLE SLIDE

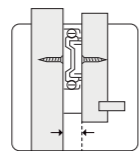
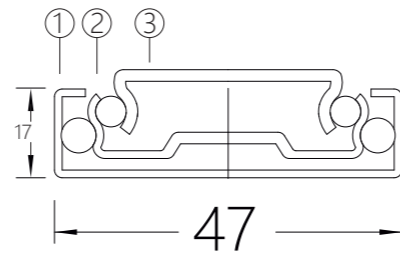
DS-D353



Width: 47mm
 Length: 800-1500mm
 Loading capacity: 120kg/900mm(36")
 Material: cold-rolled steel/Galvanized sheet
 Finishing: Zinc / Black
 Packing: 4Pairs/carton



120kg



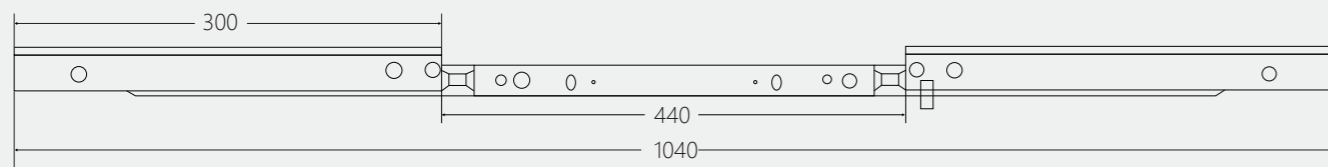
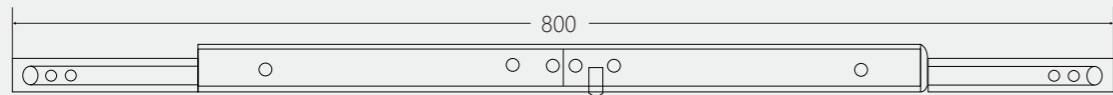
17.3mm

①	②	③
2.0	2.0	2.0

DS-D353

2.0*2.0*2.0mm

Hole Version



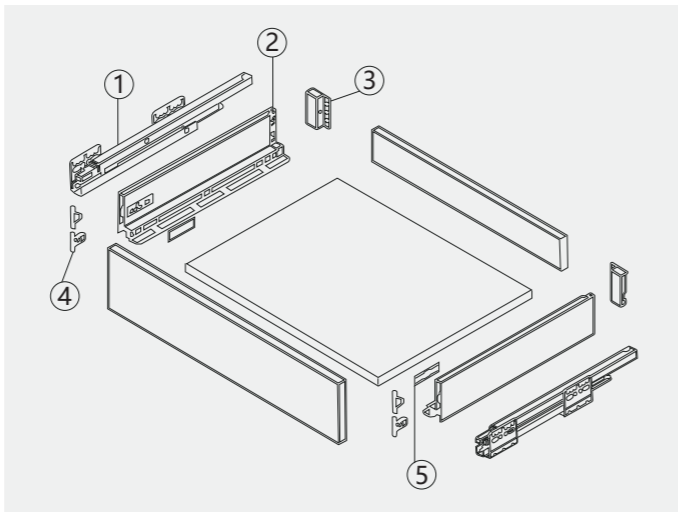


TB-0683

Material:	Galvanized Steel
Finish:	Painting
Thickness:	1.5*2.0*1.5mm
Wood Board Thickness:	16mm
Color:	White/Grey/Dark Grey
Length:	270mm-550mm
Height:	68/151/183mm
Loading capacity:	35KG

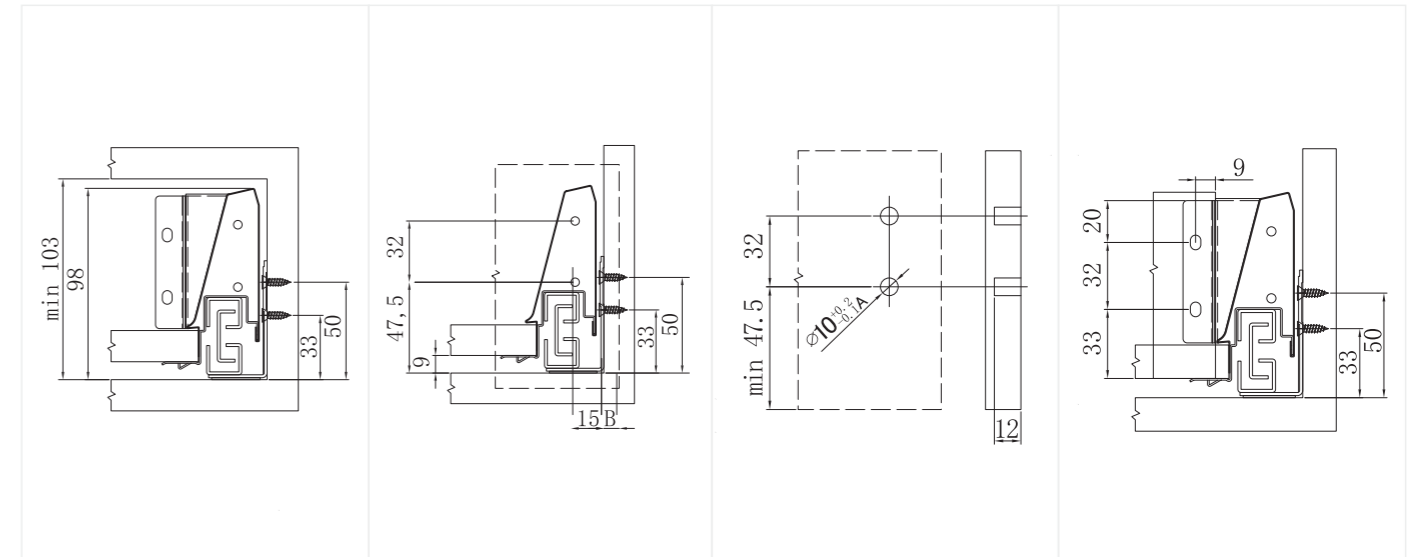


product description

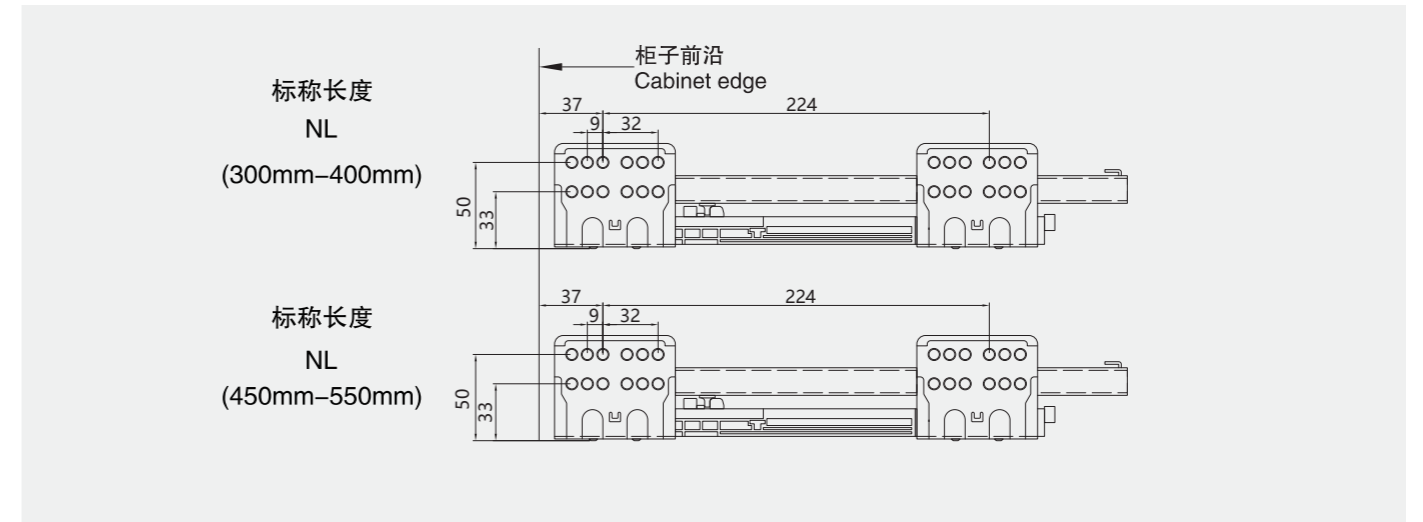


①	②	③	④	⑤
Slide (Left/Right)	Drawer sides (Left/Right)	Back Fixing-brackets (Left/Right)	Front Fixing-brackets	Cover caps
-Galvanized steel plate -load capacity:30kg	-Steel -White/Grey	-Steel -White/Grey	-Steel, Plastic -Plastic button(optional)	-Plastic -White/Grey

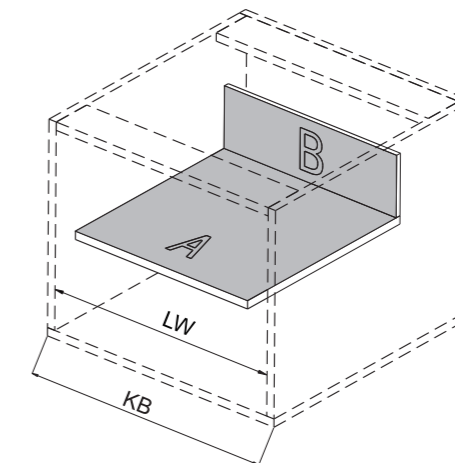
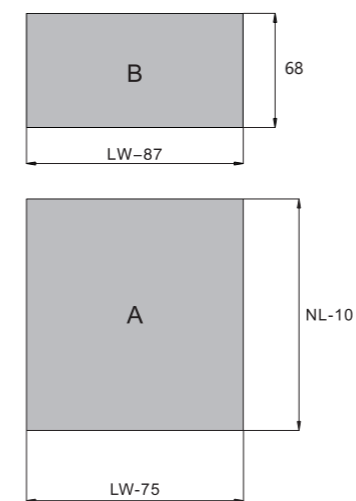
Installation Dimensions



Installation Dimensions



16mm density board cutting size



LW: Cabinet Width
NL: Nominal Length
A: Bottom
B: Back



TB-0681

Material:	Galvanized Steel
Finish:	Painting
Thickness:	1.5*2.0*1.5mm
Wood Board Thickness:	16mm
Color:	White/Grey/Dark Grey
Length:	270mm-550mm
Height:	68/119/151/183mm
Loading capacity:	35KG

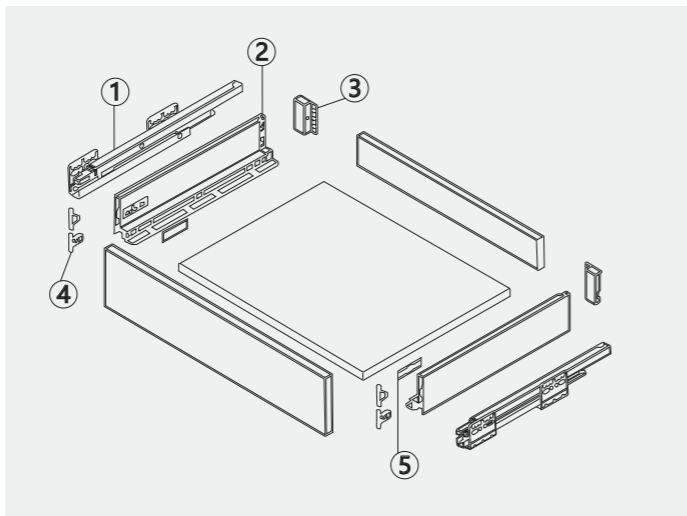
TB-1191



TB-1831

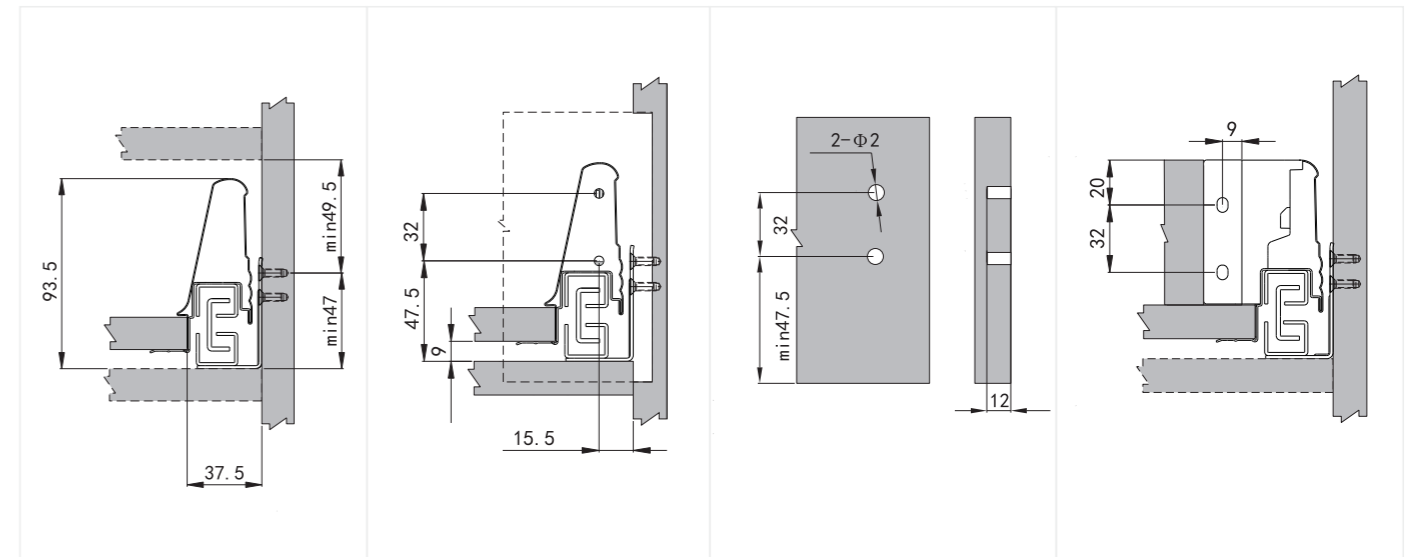


product description

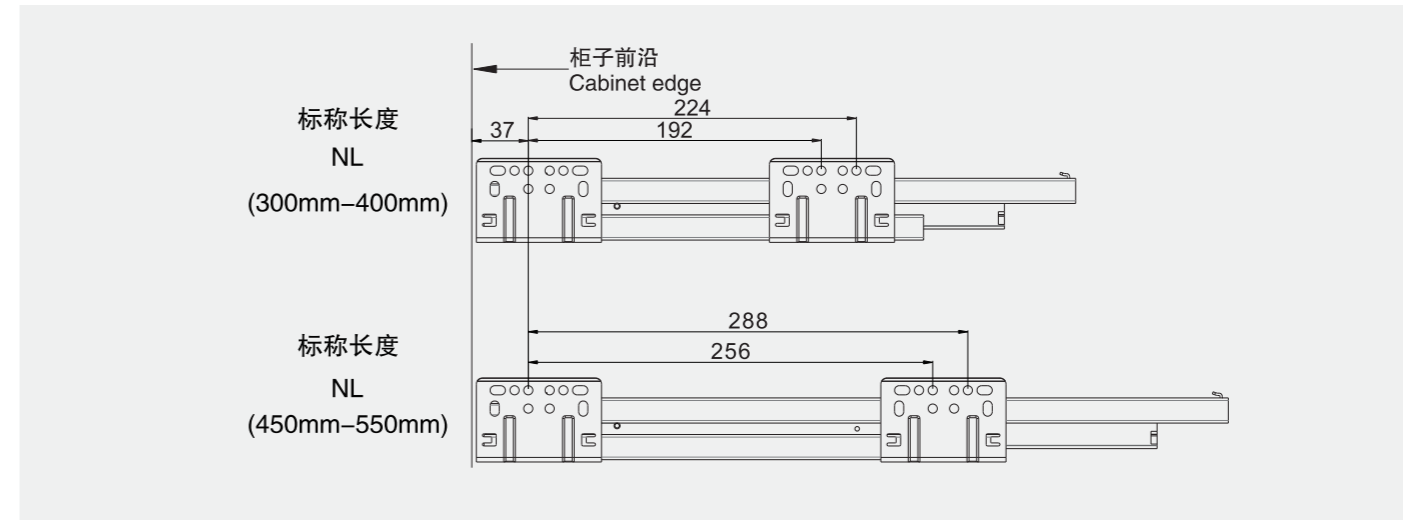


①	②	③	④	⑤
Slide (Left/Right)	Drawer sides (Left/Right)	Back Fixing-brackets (Left/Right)	Front Fixing-brackets	Cover caps
-Galvanized steel plate -load capacity:30kg	-Steel -White/Grey	-Steel -White/Grey	-Steel, Plastic -Plastic button(optional)	-Plastic -White/Grey

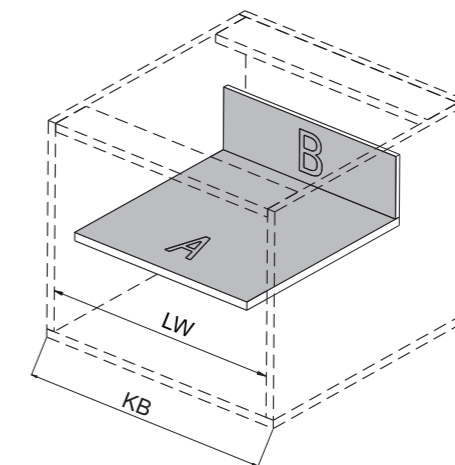
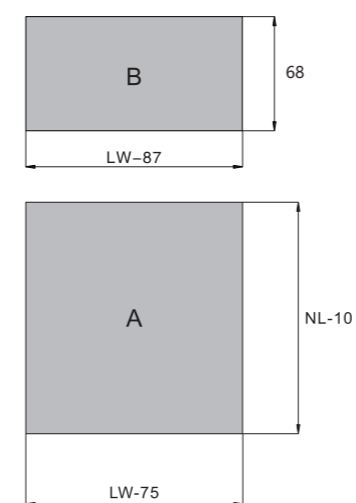
Installation Dimensions



Installation Dimensions



16mm density board cutting size



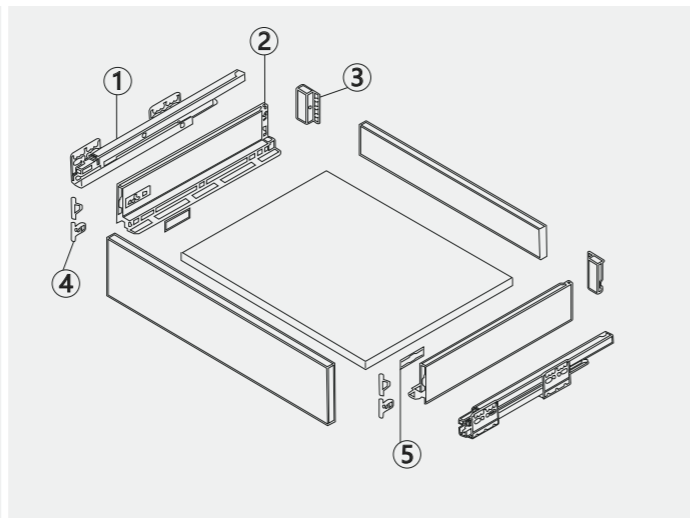
- LW: Cabinet Width
- NL: Nominal Length
- A: Bottom
- B: Back

TB-0684

Material:	Galvanized Steel
Finsh:	Painting
Thickness:	1.5*2.0*1.5mm
Wood Board Thickness:	16mm
Color:	White/Dark Grey
Length:	270mm-550mm
Height:	68/100/148mm
Loading capacity:	35KG

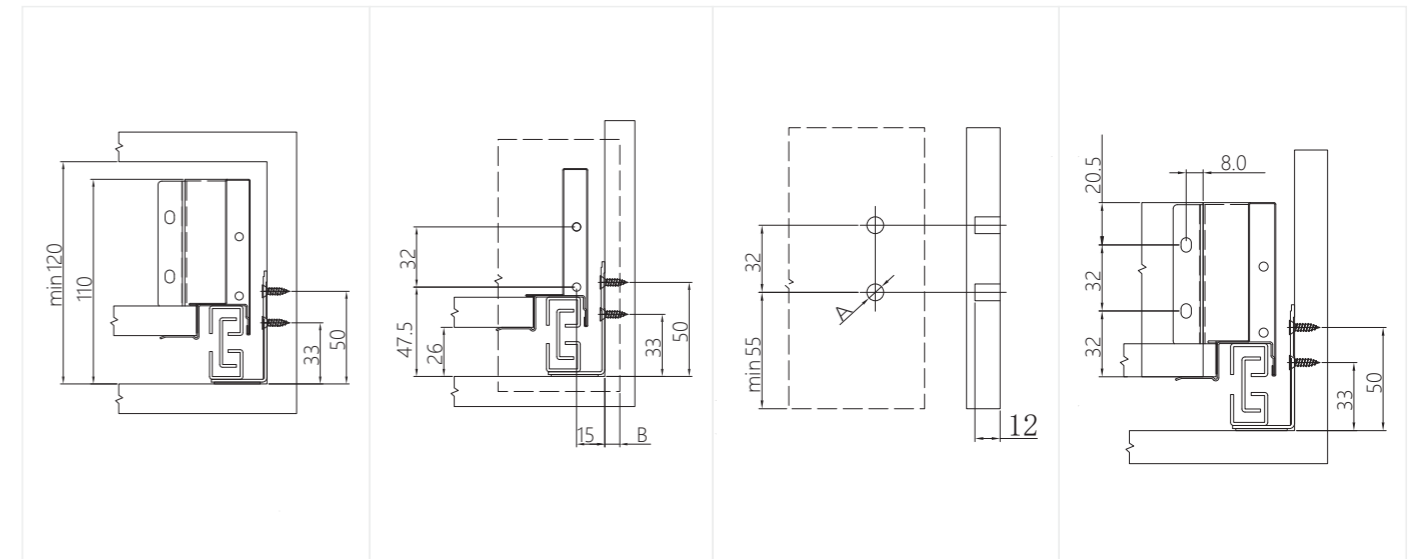


product description

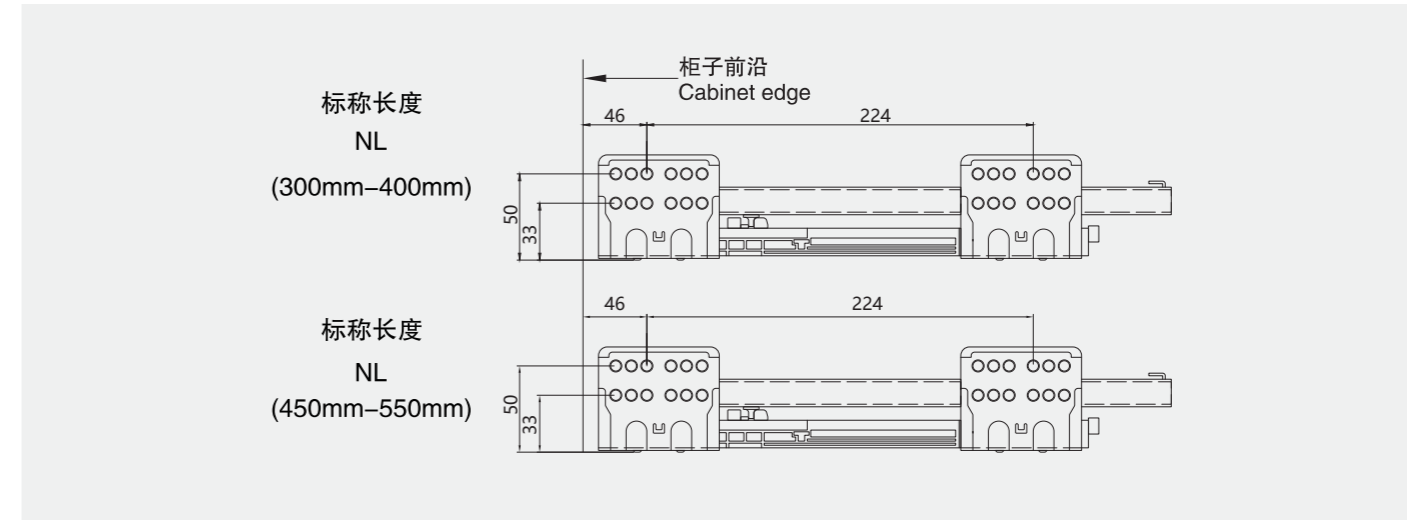


①	②	③	④	⑤
Slide (Left/Right)	Drawer sides (Left/Right)	Back Fixing-brackets (Left/Right)	Front Fixing-brackets	Cover caps
-Galvanized steel plate -load capacity:30kg	-Steel -White/Grey	-Steel -White/Grey	-Steel, Plastic -Plastic button(optional)	-Plastic -White/Grey

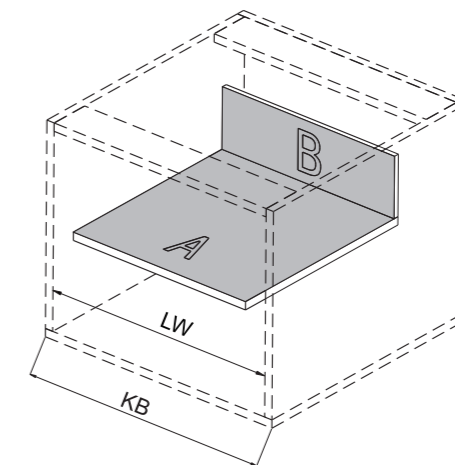
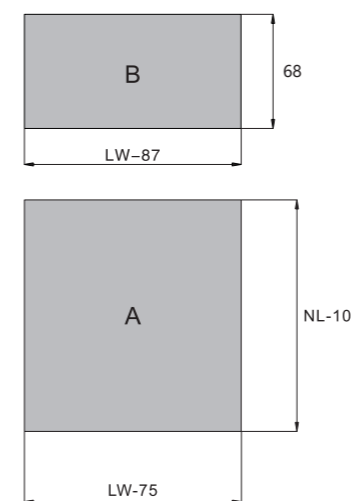
Installation Dimensions



Installation Dimensions



16mm density board cutting size



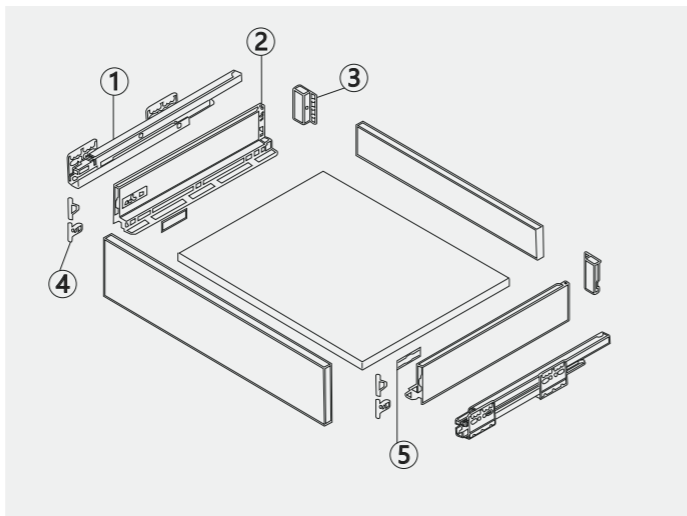
LW: Cabinet Width
NL: Nominal Length
A: Bottom
B: Back

TB-0682

Material:	Galvanized Steel
Finsh:	Painting
Thickness:	1.5*2.0*1.5mm
Wood Board Thickness:	16mm
Color:	White/Dark Grey
Length:	300mm-550mm
Height:	68/101/148mm
Loading capacity:	35KG

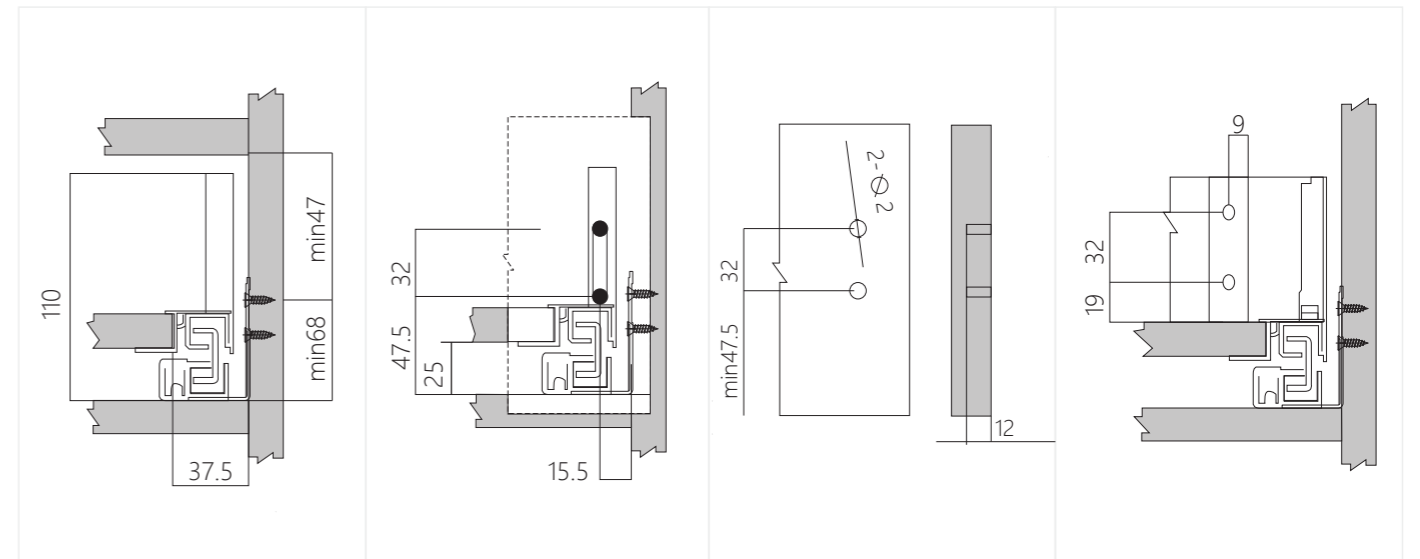


product description

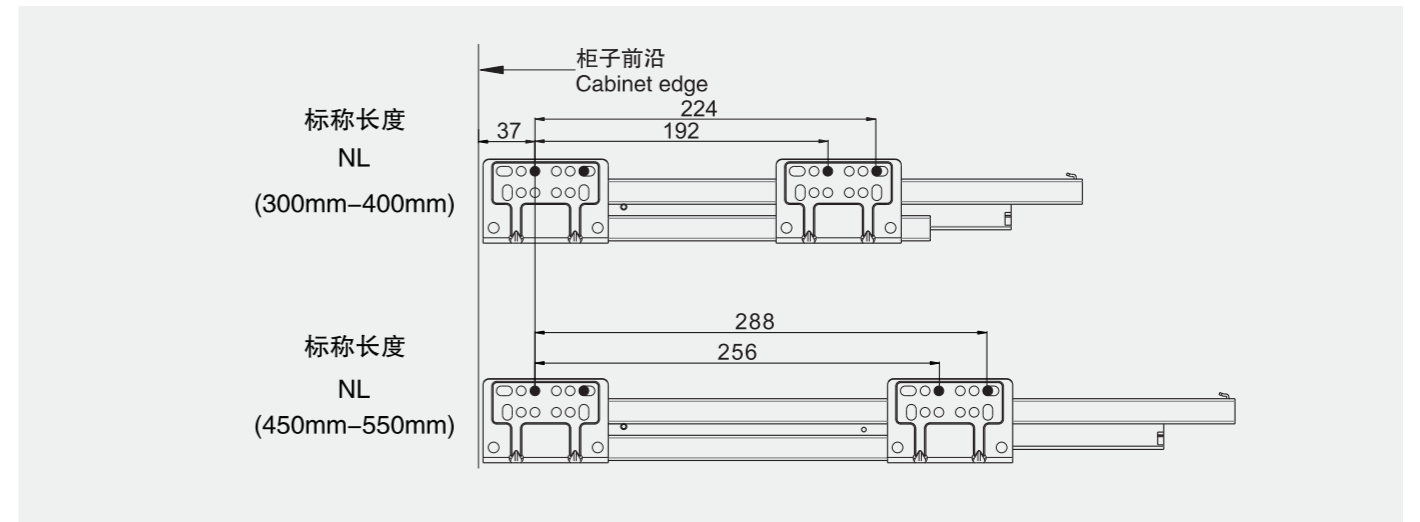


①	②	③	④	⑤
Slide (Left/Right)	Drawer sides (Left/Right)	Back Fixing-brackets (Left/Right)	Front Fixing-brackets	Cover caps
-Galvanized steel plate -load capacity:30kg	-Steel -White/Grey	-Steel -White/Grey	-Steel, Plastic -Plastic button(optional)	-Plastic -White/Grey

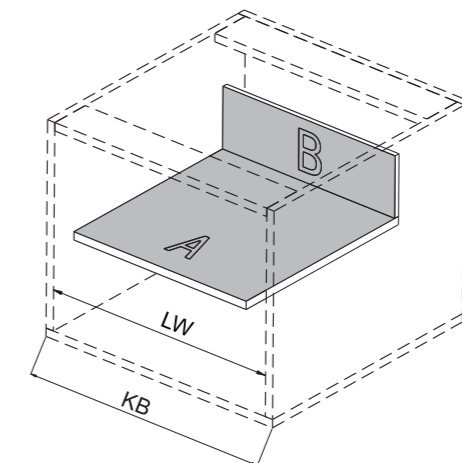
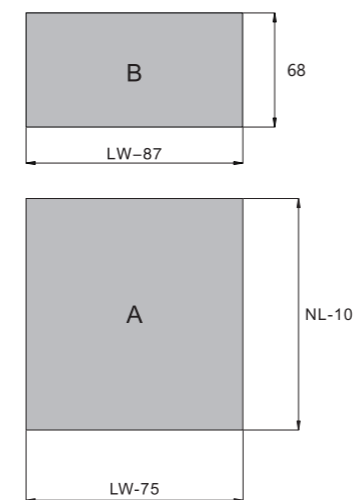
Installation Dimensions



Installation Dimensions



16mm density board cutting size



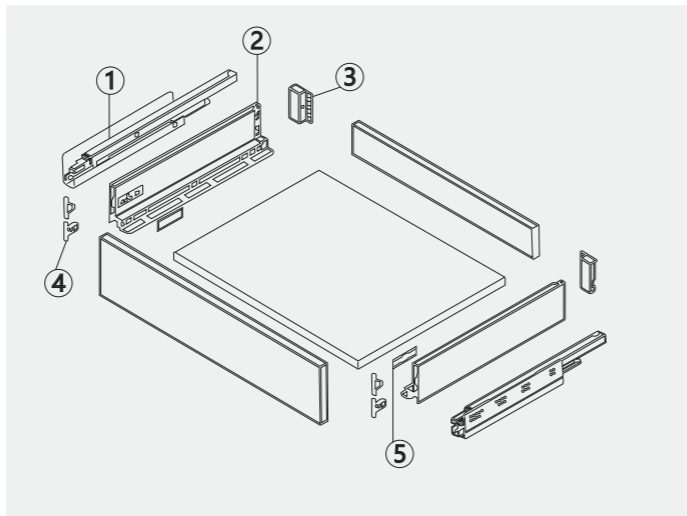
LW: Cabinet Width
NL: Nominal Length
A: Bottom
B: Back

UM-3C03

Material:	Galvanized Steel
Finish:	Painting
Thickness:	1.2*1.5*1.8mm
Wood Board Thickness:	16mm
Color:	White/Dark Grey
Length:	300mm-550mm
Height:	63/101/148mm
Loading capacity:	35KG

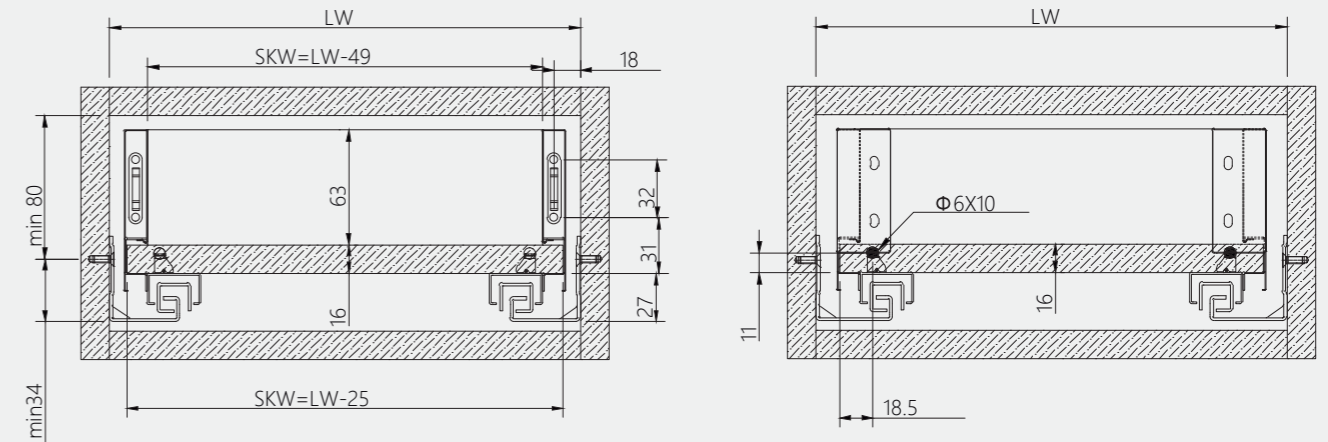


product description

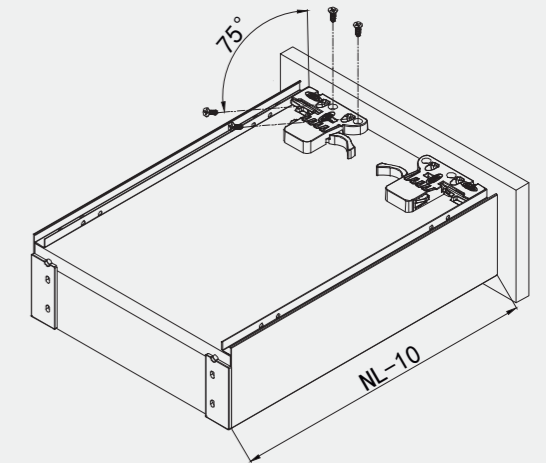
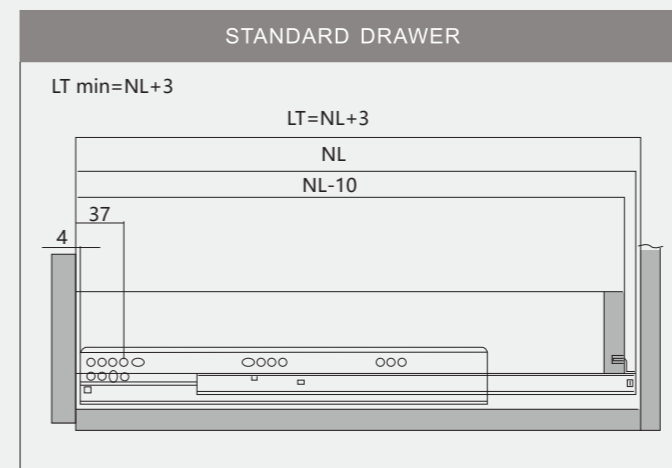


①	②	③	④	⑤
Slide (Left/Right)	Drawer sides (Left/Right)	Back Fixing-brackets (Left/Right)	Front Fixing-brackets	Cover caps
-Galvanized steel plate -load capacity:30kg	-Steel -White/Grey	-Steel -White/Grey	-Steel, Plastic -Plastic button(optional)	-Plastic -White/Grey

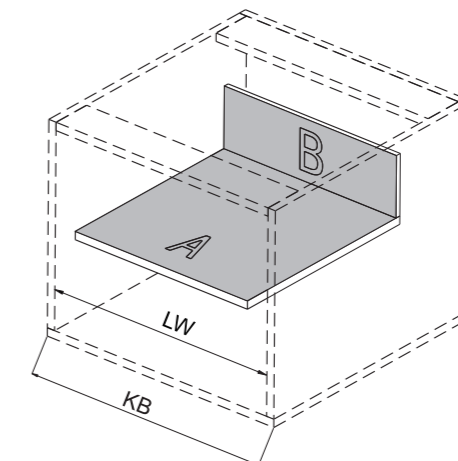
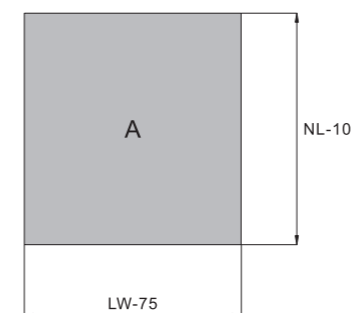
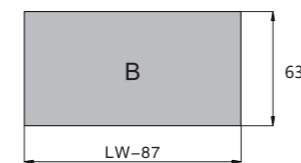
product description



Installation Dimensions



16mm density board cutting size



LW: Cabinet Width
 NL: Nominal Length
 A: Bottom
 B: Back



UM-3C01

3 Folds 3D Adjustment

Material:	Galvanized Steel
Thickness:	1.2*1.5*1.8mm
Length:	250-550mm
Loading capacity:	35KG
Wood Board Thickness:	16/18mm



UM-3C07

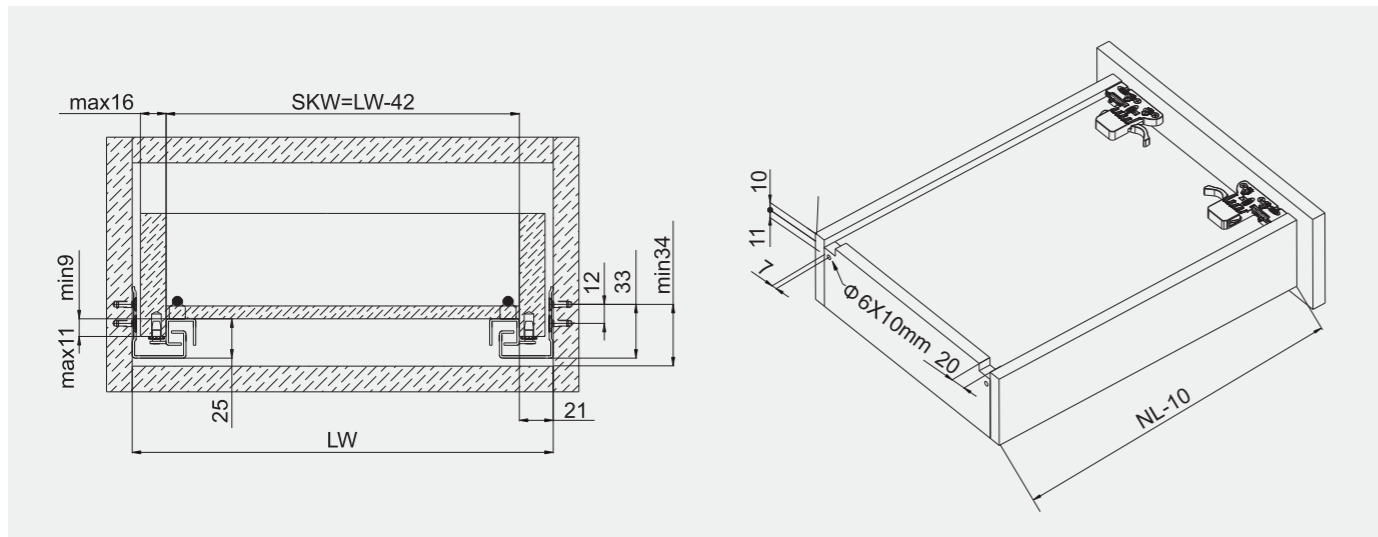
3 Folds 2D Adjustment

Material:	Galvanized Steel
Thickness:	1.0*1.5*1.8mm
Length:	250-550mm
Loading capacity:	35KG
Wood Board Thickness:	16/18mm

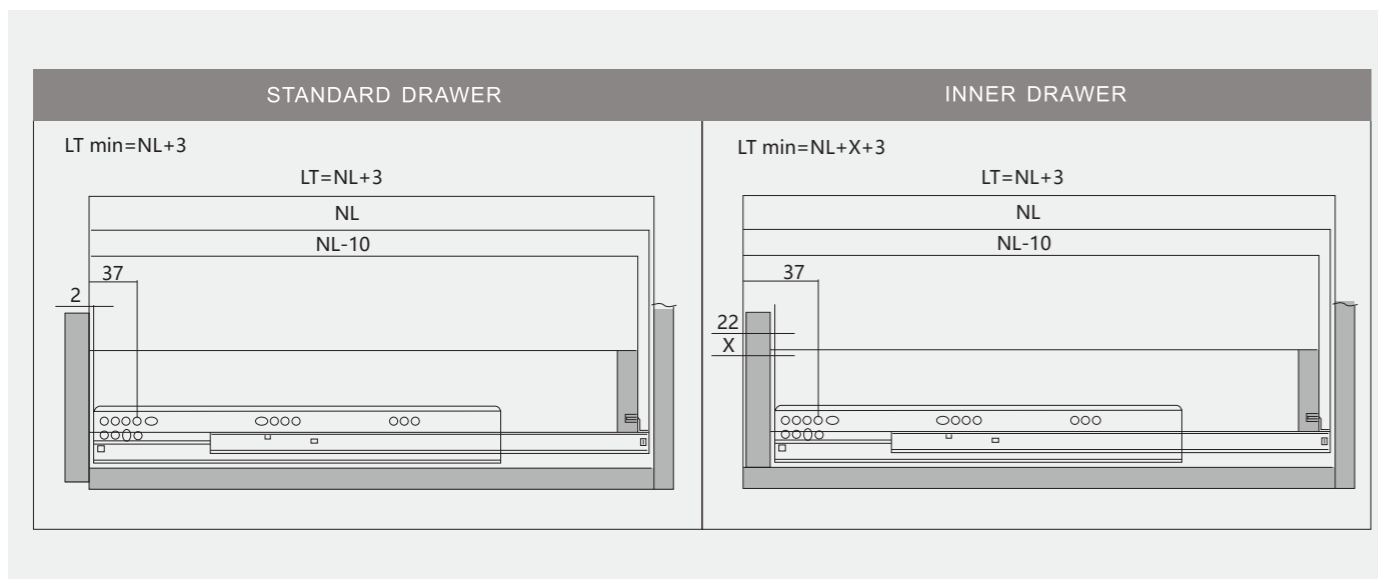
Installation Dimensions

SKW= Internal Drawer Width

LW= Internal Cabinet Width



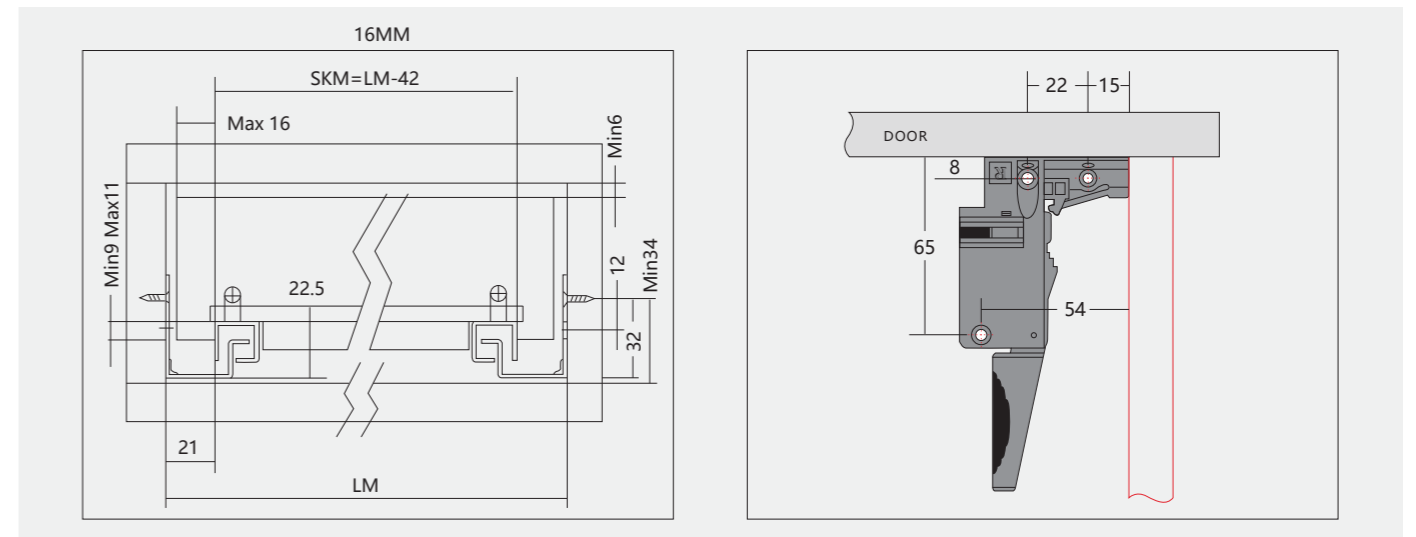
Installation Dimensions



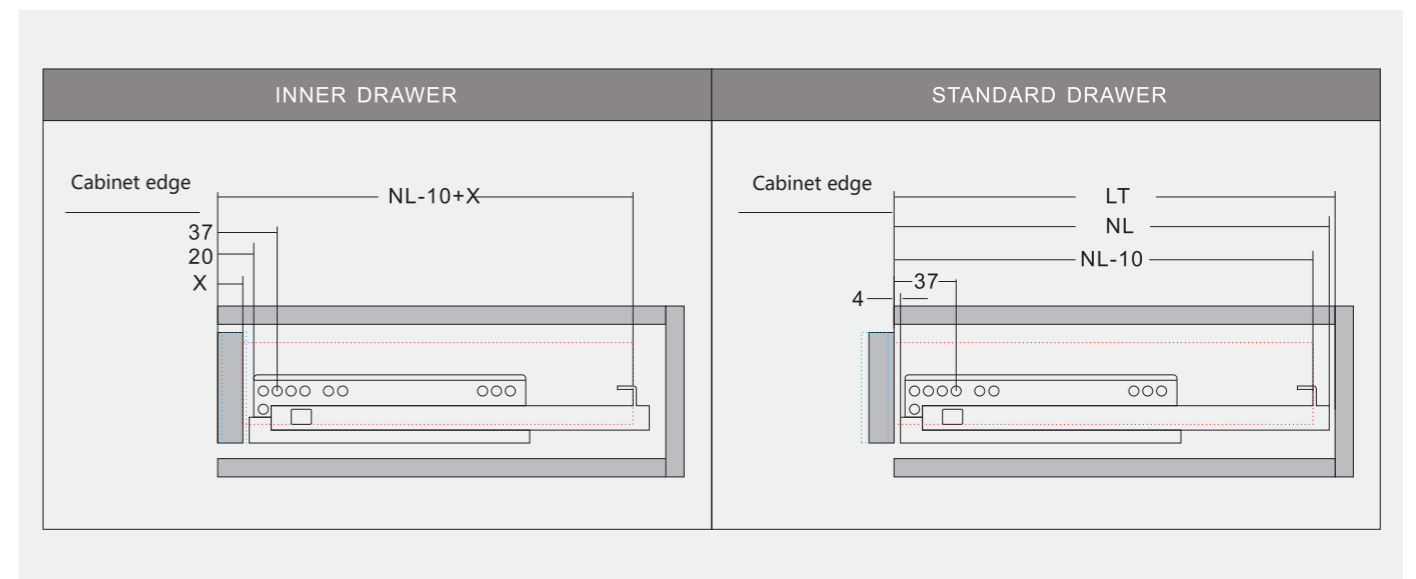
Installation Dimensions

SKW= Internal Drawer Width

LW= Internal Cabinet Width



Installation Dimensions



UNDERMOUNT SLIDE



UM-2C01

2 Folds 3D Adjustment

Material:	Galvanized Steel
Thickness:	1.5*1.5*mm
Length:	250-550mm
Loading capacity:	25KG
Wood Board Thickness:	16/18mm

UNDERMOUNT SLIDE

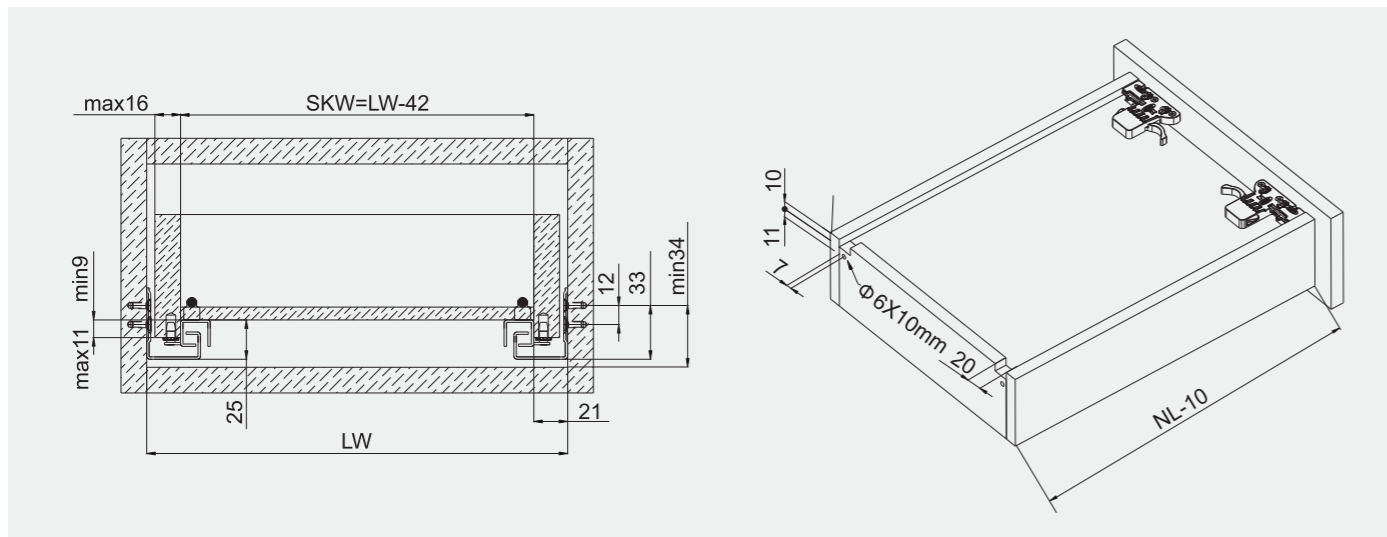


UM-2C05

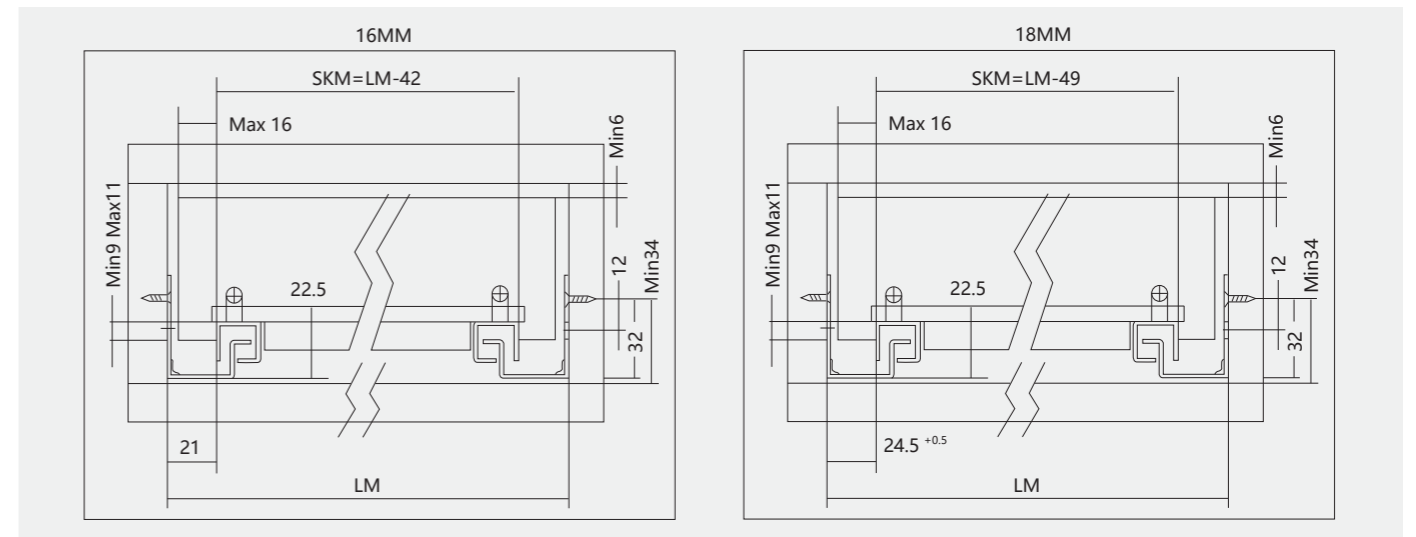
2 Folds 2D Adjustment

Material:	Galvanized Steel
Thickness:	1.5*1.5mm
Length:	250-500mm
Loading capacity:	25KG
Wood Board Thickness:	16/18mm

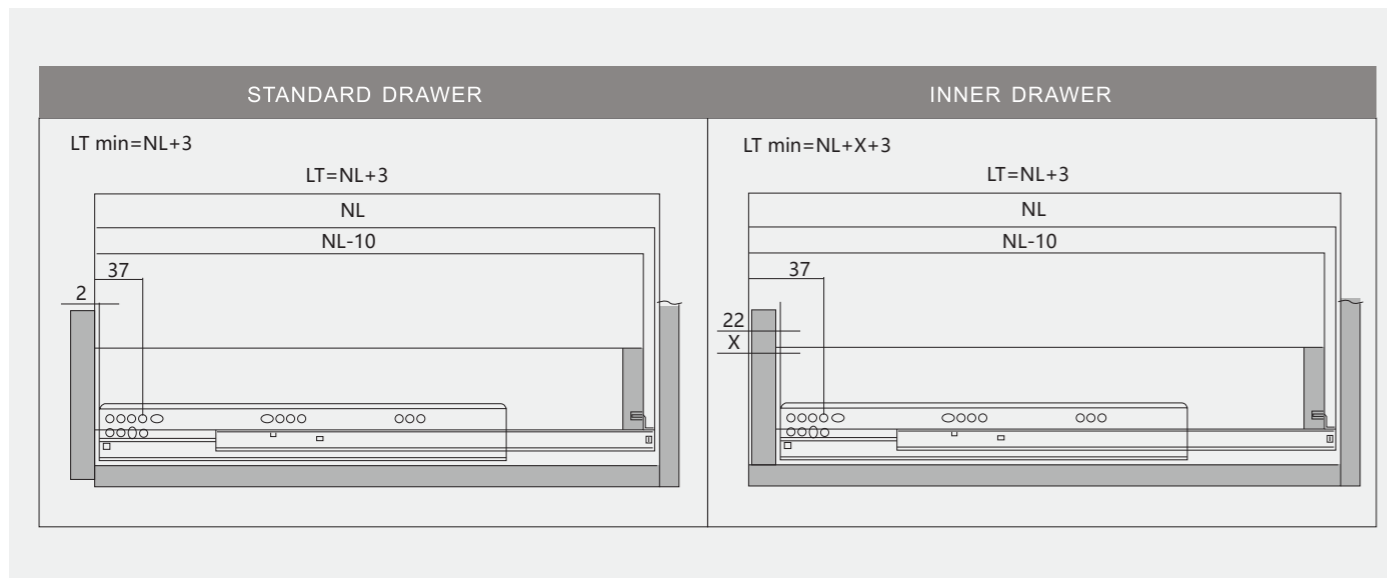
Installation Dimensions SKW= Internal Drawer Width LW= Internal Cabinet Width



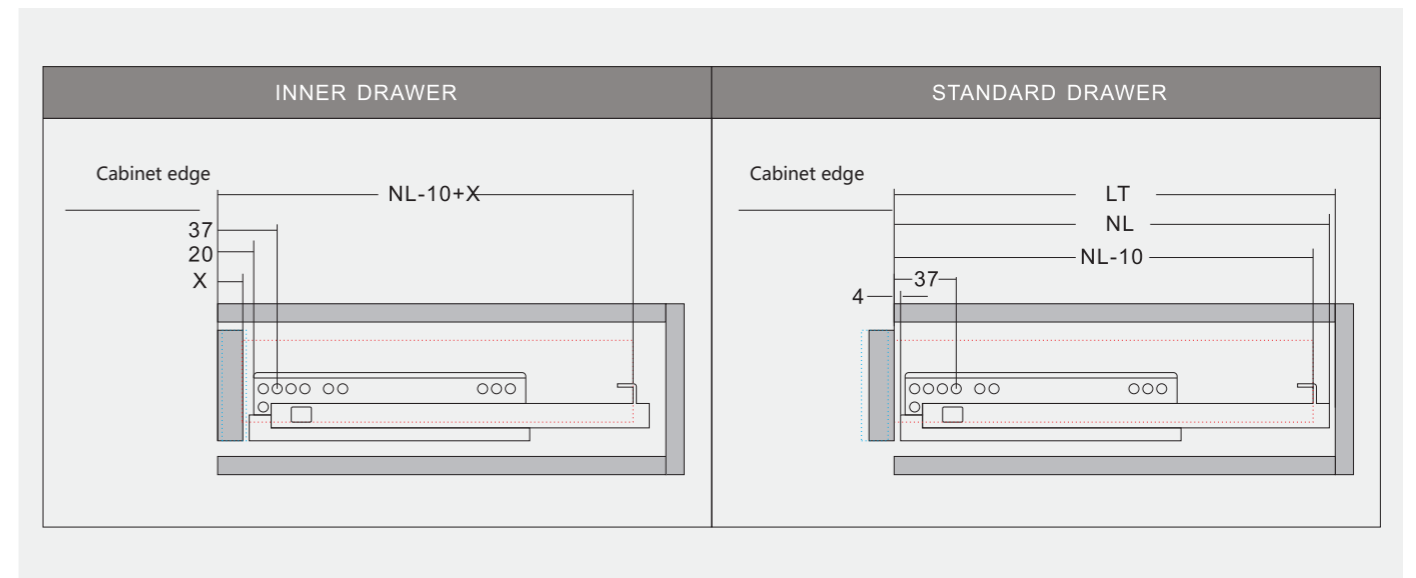
Installation Dimensions SKW= Internal Drawer Width LW= Internal Cabinet Width



Installation Dimensions



Installation Dimensions



UPTURNING LIFT SYSTEM



US-0001 Upturning Lift System

Model:	US-0001
Material:	Iron+Plastic
Finish:	Nickel plating
Capacity:	Light type 2.5-3.5kg, Medium type 3.5-4.8kg Heavy type 4.8-6kg.
Cabinet Height:	250-500mm
Cabinet Width:	Need to be customized if cabinet width is more than 900mm
Panel Thickness:	16/19/22/26/28mm
3D Adjustment for Panel:	±2mm for up and down ,front and back ,left and right .
Scope of Application:	Flip-up wooden door and aluminum frame door of cabinet



Product information

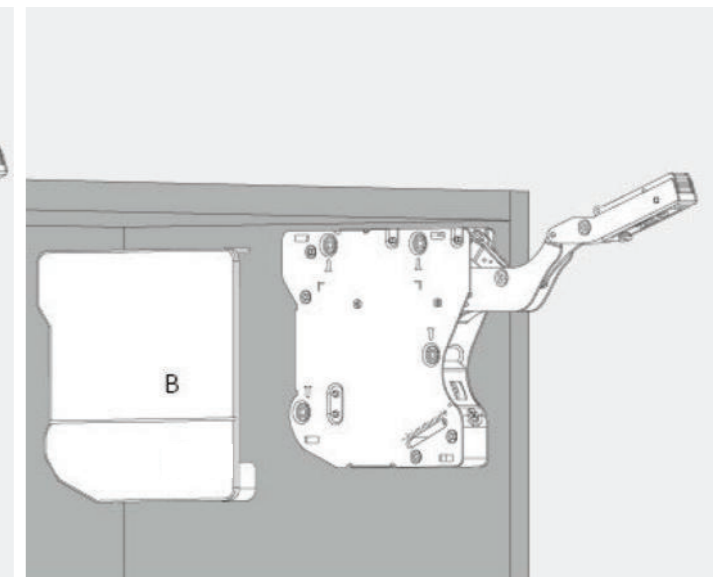
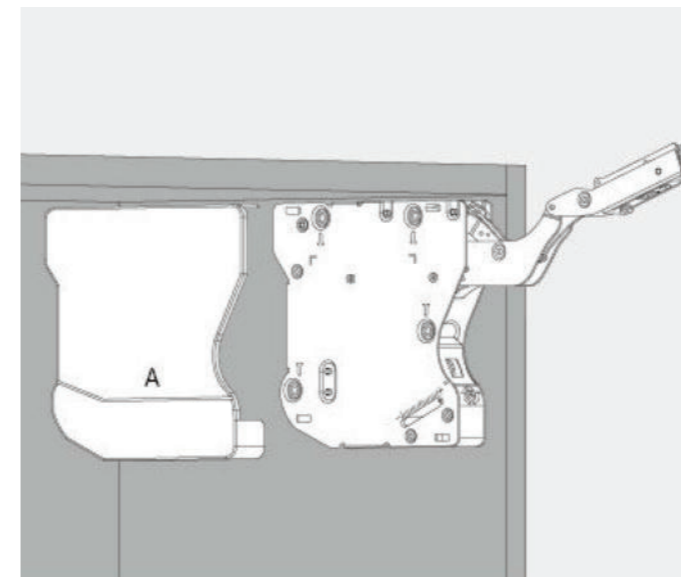
Lift body (left&right)/
Opening angle:110°



A cover(left & right)/Plastic



B cover(left & right)/Plastic





Smooth opening and closing, simple, comfortable and elegant.

Suitable for cabinets with low height.

- » Soft-closing function when closing angle reaches 25°
- » Max opening angle is 110°
- » No need to install cabinet hinges
- » Easy to open, free stop at any position
- » Force of opening or closing is adjustable
- » Easy assembling and adjustment
- » Various color option for decoration cover

Superior Advantages

Force of opening and closing is adjustable

3D Adjustable : 1. Up & Down
2. Left & Right 3. Front & Back

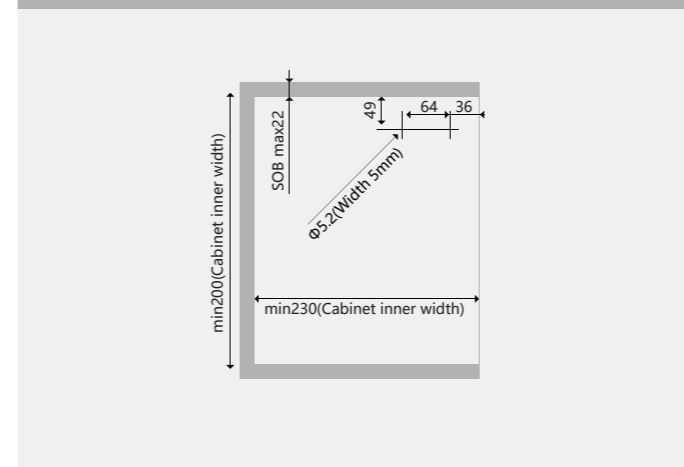
Decoration covers: Grey and White available

Smooth Opening and Closing



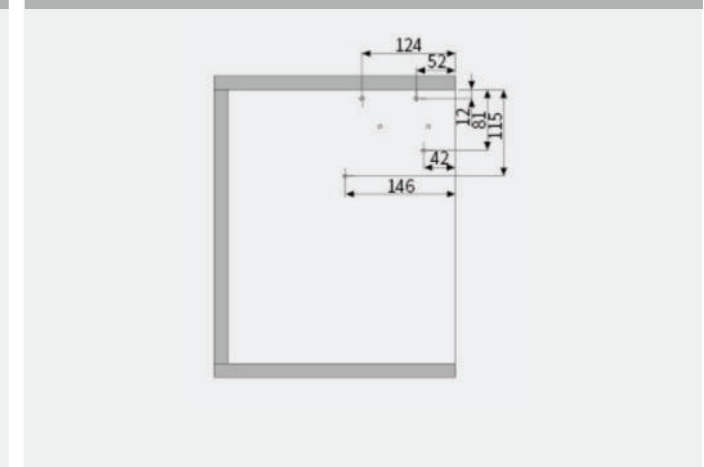
Installation size(mm)

Hole position and needed space



SOB panel thickness

Fixed position



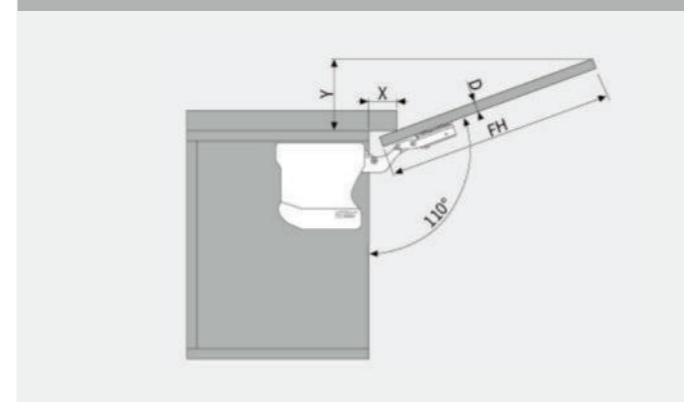
4pcs x working screws $\Phi 4 \times 39 \text{mm}$

Panel installation size

T=panel thickness

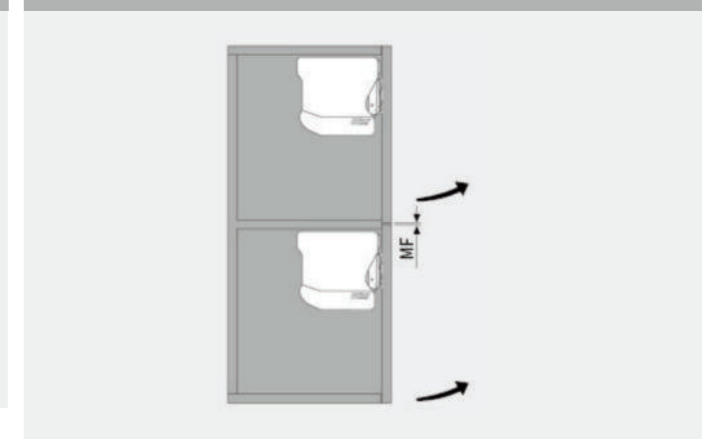
4 pcs x woodworking screws ($\Phi 4 \times 16 \text{mm}$)
Use for fixing the aluminum panel
53+ woodworking screws
12.5+T = Total length

Needed space for top side panel



D (mm)	16	18	22	26	28
X (mm)	43	39	30	18	12
Y (mm)	$Y = FH \times 0.31 - 15 + D$				

Minimum door gap



MF is 2mm at opening

UP AND OVER LIFT SYSTEM



US-0002 Up and Over Lift System

Model:	US-0002
Material:	Zinc alloy+Plastic+Alu
Finish:	Nickel plating+Chrome plating
Max Capacity:	8kg
Cabinet Height:	600-900mm
Cabinet Width:	≤900mm



There are two connection parts, left and right

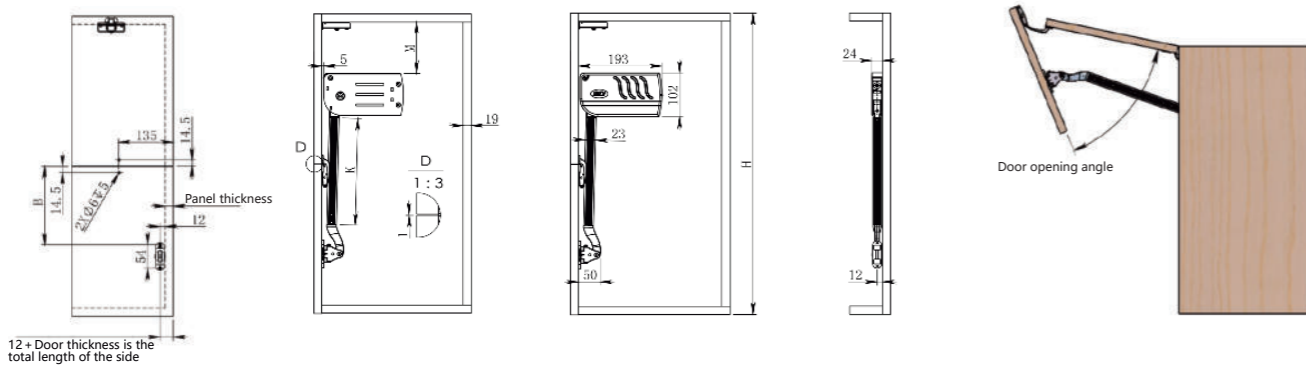


Connected hinge



Adjustable base

Installation diagram



Cabinet Height (H)	600	650	700	750	800	850	900	950	1000
Bottom Installation Position (M)	100	150	100	120	200	250	200	250	250
Top Installation Position (B)	163	188	213	208	263	288	263	288	313
Alu.bar Length (K)	200	200	300	300	300	300	350	350	400

Unit: mm

Advantages

- | | |
|--|----------------------------------|
| 1.Smooth and silent closing | 2.Easy to open |
| 3.Easy to open, free stop at any position | 4.Flexibility for the designer |
| 5.Various combination for two panels cabinet | 6.Easy assembling and adjustment |
| 7.Stable function | 8.Excellent durability |
| 9.Door handle can be installed in ideal position | 10.Simple and elegant |

FREE STOP LIFT SYSTEM

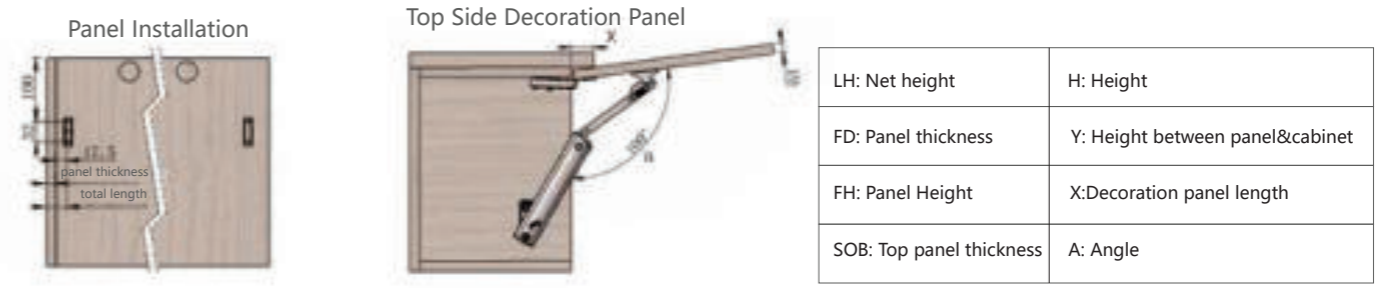


US-0003 Free Stop Lift System

Model:	US-0003
Material:	Plastic+Iron
Finish:	Nickel plating+Chrome plating
Capacity:	Light type 2-3kg, Medium type 3.5-4.5kg Heavy type 5-6kg.



Installation diagram



Advantages

- Free stop at any position when opening angle reaches 60°
- Soft-closing function when closing angle reaches 30°
- Force is adjustable

STOP LIFT SYSTEM



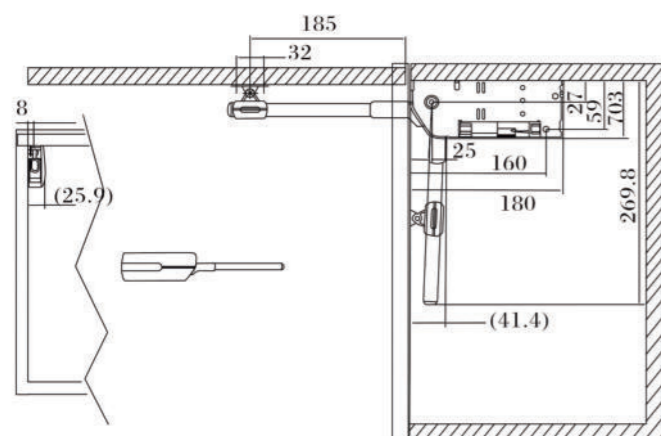
US-0004 Free Stop Lift System

Material:	Alu+Plastic+Iron
Finish:	Oxidation
Capacity:	Light type 3-4.5kg, Heavy type 5-6.5kg.
Cabinet Height:	250-500mm
Cabinet Width:	≤1200mm
Cabinet Depth:	> 240mm
Panel Thickness:	16/19/22/26/28mm
Use for upturning wooden door and aluminum-frame door	



Adjustable pulley

Installation diagram



Advantages

1. Free stop at any position when opening angle reaches 30°
2. Soft-closing function when closing angle reaches 30°
3. Easy to open
4. Force of opening or closing is adjustable
5. Easy assembling and adjustment
6. Compact structure, good space utilization



PULL-OUT BASKET



Product information

Item:	PB-001A
Specification:	L450*W360*H465mm
Cabinet Outer Width:	400mm
Cabinet Inner Width:	365mm



Other models

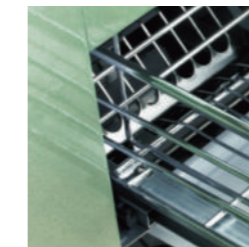
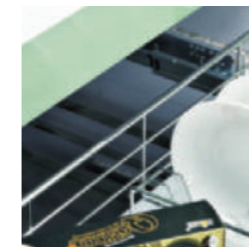
Item	Specification	Cabinet Outer Width	Cabinet Inner Width
PB-001B	L450*W300*H465mm	350mm	315mm
PB-001C	L450*W240*H465mm	300mm	265mm

Multifunctional Pull-out Basket with Soft-closing

PB-001A

Product information

Item:	PB-005E
Specification:	L410*W490*H160mm
Cabinet Outer Width:	600mm
Cabinet Inner Width:	565mm



Other models

Item	Specification	Cabinet Outer Width	Cabinet Inner Width
PB-005A	L410*W790*H160mm	900mm	865mm
PB-005B	L410*W690*H160mm	800mm	765mm
PB-005C	L410*W640*H160mm	750mm	715mm
PB-005D	L410*W590*H160mm	700mm	665mm

Simple Pull-out Basket without Soft-closing

PB-005E



Swing Trays
PB-010A

Product information

Item:	PB-010A
Height:	600-750mm
Depth:	>500mm
Width:	>865mm

Other models

Item:	PB-010B
Height:	600-750mm
Depth:	>500mm
Width:	>865mm

Magic Corner
PB-009A

Product information

Item:	PB-009A
Specification:	L500*W414*H(1650-1950)mm

Other models

Item	Specification
PB-009B	L500*W414*H(1250-1550)mm
PB-009C	L500*W414*H(1450-1450)mm



Pull-down Elevator Basket
PB-007D

Product information

Item:	PB-007D
Specification:	L270*W560*H560mm
Cabinet Outer Width:	600mm
Cabinet Inner Width:	565mm



Other models

Item	Specification	Cabinet Outer Width	Cabinet Inner Width
PB-007A	L270*W860*H560mm	900mm	865mm
PB-007B	L270*W760*H560mm	800mm	765mm
PB-007C	L270*W660*H560mm	700mm	665mm

Product information

Item:	PB-002E
Specification:	L450*W530*H160mm
Cabinet Outer Width:	600mm
Cabinet Inner Width:	565mm



Other models

Item	Specification	Cabinet Outer Width	Cabinet Inner Width
PB-002A	L450*W830*H160mm	900mm	865mm
PB-002B	L450*W730*H160mm	800mm	765mm
PB-002C	L450*W680*H160mm	750mm	715mm
PB-002D	L450*W630*H160mm	700mm	665mm

Simple Pull-out Basket
with Soft-closing
PB-002E



Stainless Steel Dish Rack

PB-011G

Product information

Item:	PB-011G
Specification:	L280*W365*H65mm
Cabinet Outer Width:	400mm

Other models

Item	Specification	Cabinet Outer Width
PB-011A	L280*W965*H65mm	1000mm
PB-011B	L280*W865*H65mm	1000mm
PB-011C	L280*W765*H65mm	1000mm
PB-011D	L280*W665*H65mm	1000mm
PB-011E	L280*W565*H65mm	1000mm
PB-011F	L280*W465*H65mm	1000mm



Stainless Steel Dustbin

PB-012A/PB-012B

Product information

Item:	PB-012A/PB-012B
Specification:	9L/14L



Stainless Steel Kitchen Sink

PB-013A

Product information

Item:	PB-013A
Specification:	780x340x230mm
Hole Size:	740x390mm
Surface treatment:	Brushed surface







GS-P001

PARAMETER

Tube:	20#precision seamless steel tube
Bar:	45# steel
Diameter of the tube:	15mm
Diameter of the bar:	6mm
Finish coating:	Chrome
Standard stroke:	90mm
Force:	40-250N

product description

GS-M001



GS-C001



GS-X001



GS-T001



GS-F001

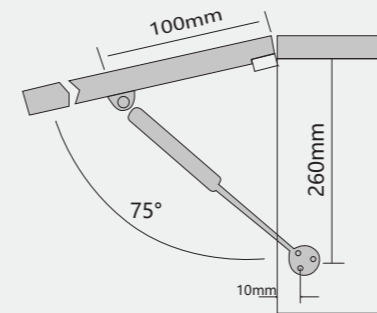


GS-A001

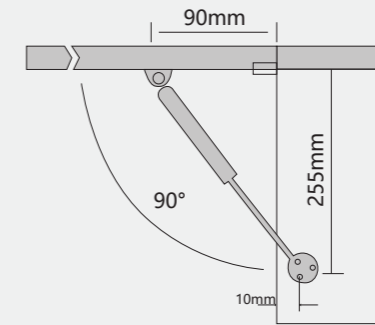


Installation diagram

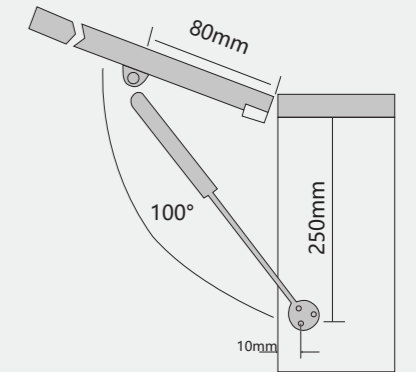
75 ° installation diagram



90 ° installation diagram









100 ° installation diagram



DF-B004

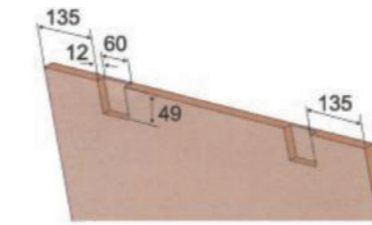


Sliding door system accessories

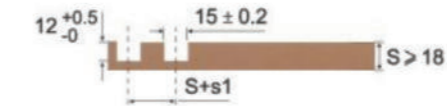
Accessory	Drawing	2 Doors	3 Doors	4 Doors
Runner		8	12	16
Buffer		4	4	4
Cap for Alum rail ending		8	8	8
Aluminum rail		4	4	4
Allen key		1	1	1
ST4x16 Croos recessed countersunk head tapping screws		32	48	64

Installation diagram

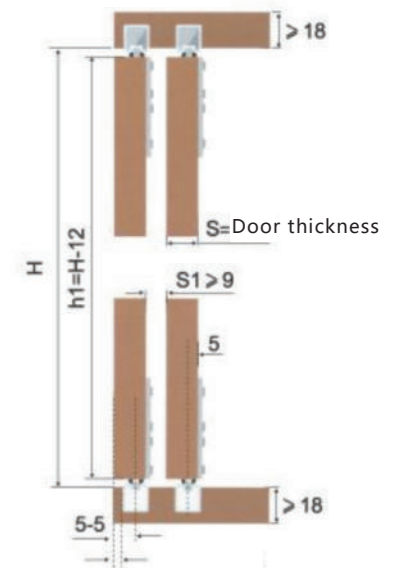
Slot on door panel



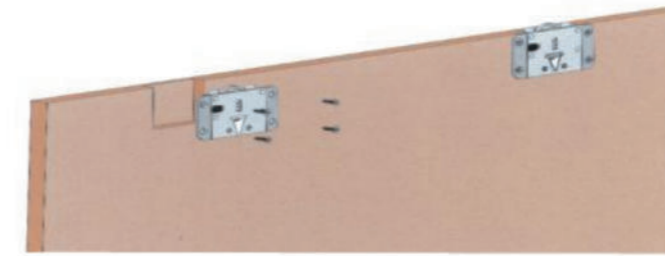
Slot dimension for aluminum rail



Wardrobe dimension



Runner installation



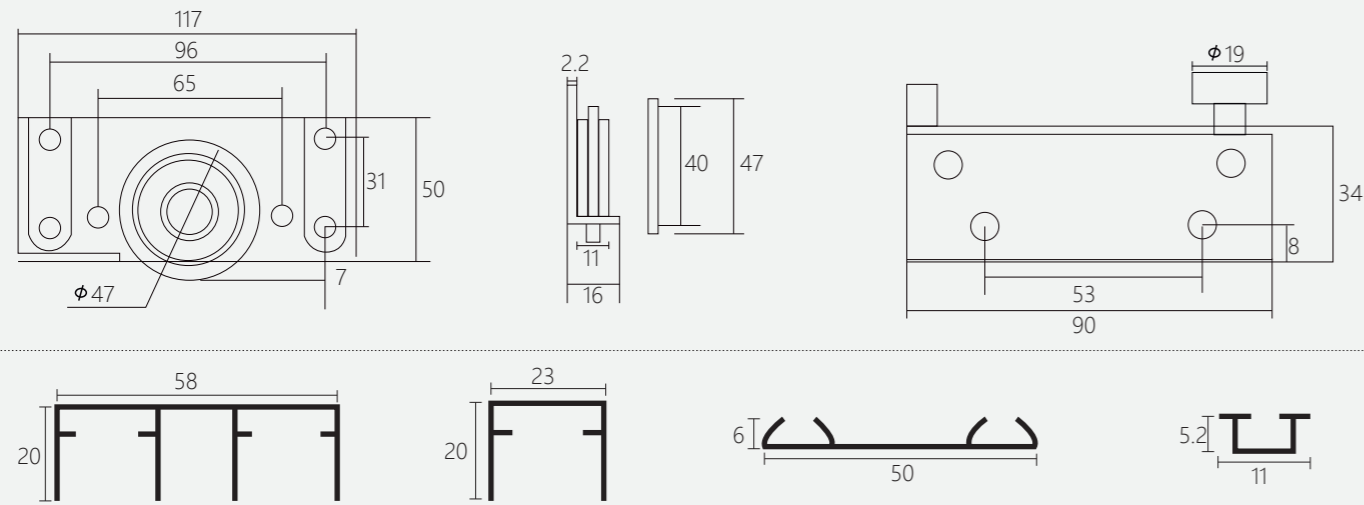
Damper installation



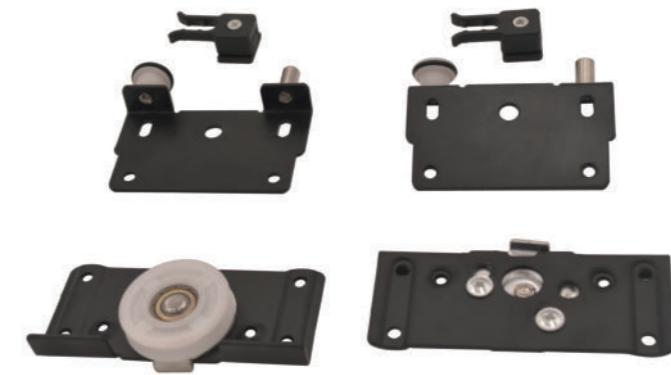
DF-B005



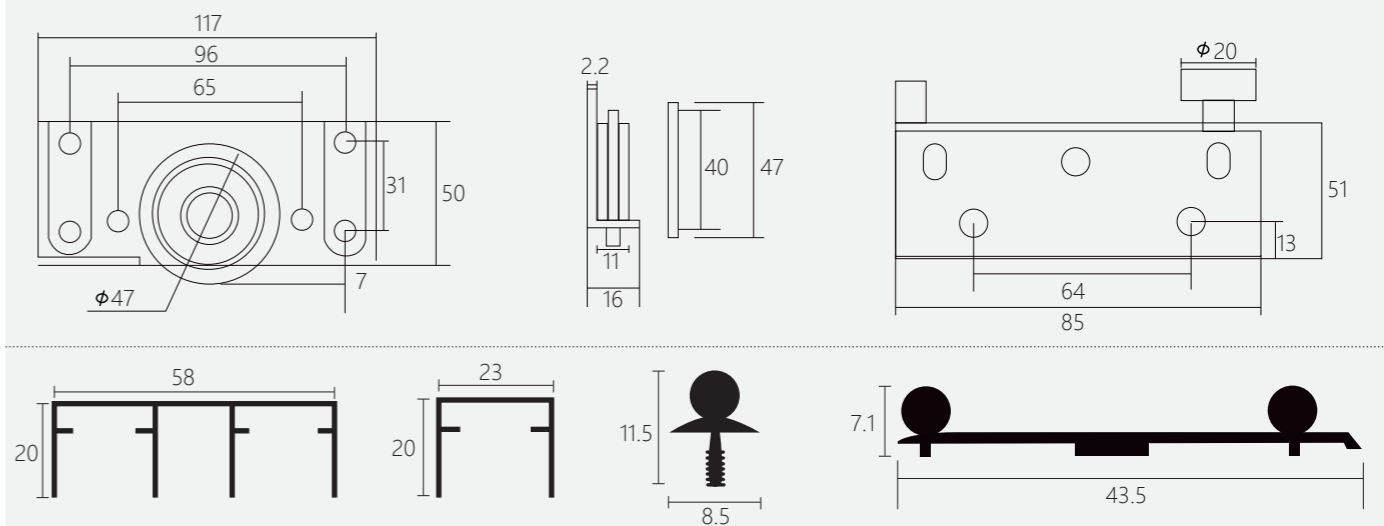
Installation diagram



DF-B003



Installation diagram





WD-L001

Lifting hanger

Order No	Width of Wardrobe tube	Width of inside Wardrobe
WD-L001	450-600mm	510-660mm
	600-830mm	660-890mm
	830-1150mm	890-1210mm



PANTS RACK

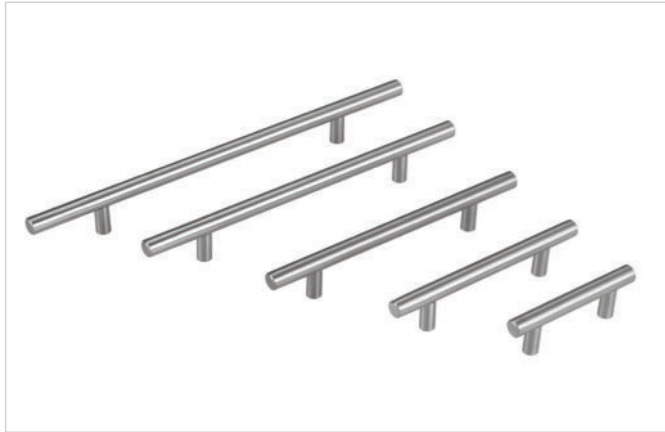


Damping pants

Order No	Products Size	Cabinet Width
WD-R001	565x480x60mm	565-665mm
	765x480x60mm	765-865mm
	865x480x60mm	865-965mm



T BAR HANDLE



HD-A002

Material: Stainless Steel 201
 Type: Hollow / Solid
 Diameter: 12mm / 10mm
 Height: 32mm

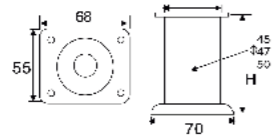
Hole Distance (mm)	64	96	128	160	192	224	256	288
Total Length (mm)	100	150	200	250	300	350	400	450





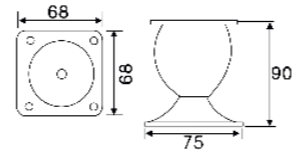
FF-B001

Material: Iron
 Finishing: chrome,brushed
 Specification: 40~150mm



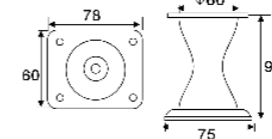
FF-B003

Material: Iron
 Finishing: chrome,brushed
 Specification: H80~100mm



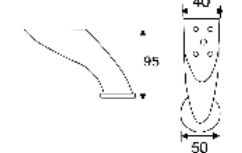
FF-B012

Material: Iron
 Finishing: chrome,brushed
 Specification: H100mm



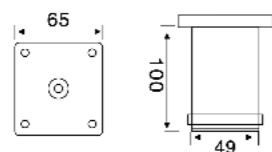
FF-B014

Material: Iron
 Finishing: chrome,brushed
 Specification: H100mm



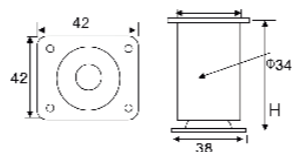
FF-B004

Material: Iron / SS201
 Finishing: chrome,brushed
 Specification: Size can be customized



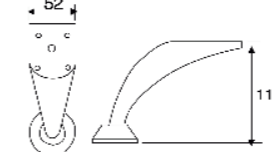
FF-B002

Material: Iron
 Finishing: chrome,brushed
 Specification: H80/100mm



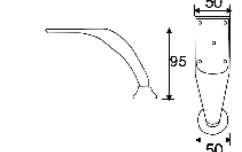
FF-B016

Material: Iron
 Finishing: chrome,brushed
 Specification: H120mm



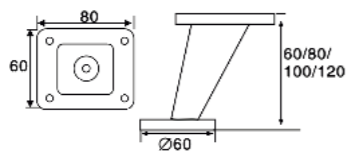
FF-B018

Material: Iron
 Finishing: chrome,brushed
 Specification: H100mm



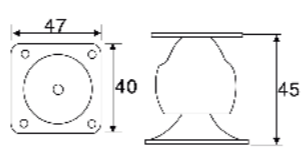
FF-B006

Material: Iron
 Finishing: chrome,brushed
 Specification: 60~120mm



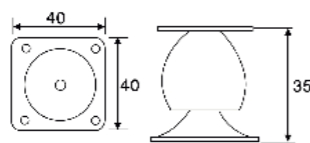
FF-B007

Material: Iron
 Finishing: chrome,brushed
 Specification: H50mm



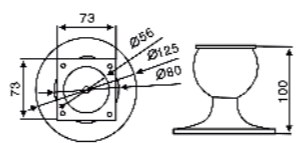
FF-B008

Material: Iron
 Finishing: chrome,brushed
 Specification: H35mm



FF-B009

Material: Iron
 Finishing: chrome,brushed
 Specification: H100mm



REBOUND DEVICE

FORMOR



RD-A002

Material: Plastic+Iron
Finish: White, Grey
Push to open length: 20/40mm



RD-A004

Material: Plastic+Iron
Finish: White, Grey
Push to open length: 40mm



RD-A001

Material: Plastic+Iron/SS304
Finish: White, Grey
Push to open length: 40mm



RD-A006

Material: Plastic+Iron
Finish: White, Grey
Push to open length: 20/40mm



RD-A003

Material: Plastic+Iron
Finish: White, Grey
Push to open length: 12mm



RD-A005

Material: Plastic+Iron
Finish: White, Grey
Push to open length: 20mm



RD-A009

Material: Alu alloy+Plastic
Finish: Silver, Gold
Push to open length: 40mm



RD-A008

Material: Alu alloy+Plastic
Finish: Silver, Gold
Push to open length: 40mm

